

Singer 96-87

Singer 96-107

Form 19122

(138)

Printed in U. S. A.

LIST OF PARTS



MACHINES
Nos. 96-87 and 96-107

THE SINGER MANUFACTURING COMPANY

INSTRUCTIONS FOR OILING

Use only Singer "Oil For High Speed Sewing Machines (Cloth and Leather)" for general use, or "Stainless Oil For High Speed Sewing Machines" where a stainless oil is desired.

Oil should be applied to all oil holes and bearings of the machine at least four times a day. Keep all wicking saturated with oil.

The upper and lower gears of the upright arm shaft should be greased with Singer Gear Lubricant every 160 hours of operation, using an Alemite-Zerk grease gun as instructed in Form 19074.

Copyright, U. S. A., 1921, 1922, 1933,
1935, 1937 and 1938

by The Singer Manufacturing Co.

All Rights Reserved for all Countries

INDEX

	Page
Accessories.....	16
Bobbin Winders.....	16
Finger Guards.....	19
Foot Lifter Parts.....	19
Hemmers (foot).....	20
Hemmers on Shank.....	21
Knee Lifter Parts.....	22
Machine Base.....	23
Machine No. 96-87.....	5
Machine No. 96-107.....	14
Numerical List of Parts.....	25
Presser Feet.....	23
Thread Unwinder.....	24

INSTRUCTIONS FOR ORDERING

In ordering from this list, use ONLY the part NUMBER in the FIRST column.

The number stamped on a Sewing Machine Part is in every case the number of the single part only.

Every combination of parts sent out as such has its specific number, which, although not stamped on the parts, must be used when ordering the combination.

Each number always indicates the SAME PART in whatever list it appears, or for whatever machine.

The letters after some of the numbers indicate the style of finish only, as follows:

- A-Hardened, Polished, Nickel Plated and Buffed
- B-Polished, Nickel Plated and Buffed
- C-Hardened Only
- D-Polished Only
- E-Soft, Not Polished
- F-Hardened and Polished
- F.J-Hardened, Polished and Nickel Plated
- G-Bright Rumbled and Nickel Plated
- H-Blued
- J-Nickel Plated Only
- K-Hardened and Nickel Plated
- L-Brass Plated
- M-Oxidized
- N-Japanned, Dull
- P-Japanned, Bright
- R-Merlized
- S-Cadmium Plating
- T-Copper Plated
- T.A-Hardened, Polished, Copper and Nickel Plated and Buffed
- T.B-Copper and Nickel Plated and Polished
- T.J-Copper and Nickel Plated Only
- T.K-Hardened, Copper and Nickel Plated
- T.L-Copper and Brass Plated
- T.M-Copper Plated and Oxidized
- U-Zinc Plated
- V-Silver Plated
- W-Polished and Nickel Plated
- X-Black Oxide, for Iron and Steel
- X.C-Hardened and Black Oxide, for Iron or Steel
- Y-Black Nickel Plated Only
- Z-Chromium Plated
- Z.A-Hardened, Polished, Nickel Plated, Buffed and Chromium Plated
- Z.B-Polished, Nickel Plated, Buffed and Chromium Plated
- Z.C-Hardened and Chromium Plated
- Z.J-Nickel and Chromium Plated

These letters MUST BE USED when they appear in the list; and AFTER the number as in the list.

In this series:

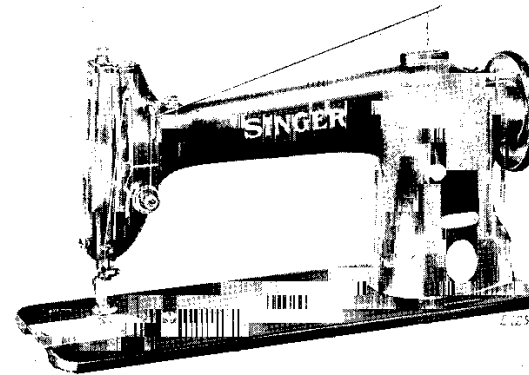
- 1 to 1500, 50001 to 51500 and 140001 to 142000 are Screw Numbers
- 1501 to 1800 and 51501 to 51800 are Nut Numbers
- 1801 to 2000 and 51801 to 52000 are Roller Numbers
- 2001 to 50000 and 52001 to 140000 and 142001 to 190000 are Sewing Machine Parts, 190001 and upward are numbers of Electrical Parts.

The figures in the second column refer only to the plates, illustrating the parts, and are NOT TO BE USED in ordering.

Parts marked with an asterisk (*) are furnished only when repairs are made at factory.

LIST OF PARTS COMPLETE

FOR



MACHINE No. 96-87

For Cloth, Tailoring, etc. Maximum stitch 5 1/2 to the inch. Drop feed. The machine is fitted with heavy gear shafts and three plain bearings for the arm shaft. The gears are lubricated with grease instead of oil. The grease is applied with Alemite Zerk hand pressure gun. Clearance under presser foot 3/8 inch. Speed 3800 R. P. M.

No.	Plate	Name
*127263	-----	Arm with 15404 and two each 15405 and 56015.....
16532	22231	Arm Dowel Pin.....
52183	22231	* Oil Tube with 52184, for oiling 52024 and 127156, for 127193 and 150460.....
52180	22231	Arm Oil Tube (long) with 52184, for oiling 52022.....

Note: Due to the accuracy required for gear alignment, Arm cannot be supplied separately and can only be sent out as a unit, Arm and Bed assembled.

PARTS FOR MACHINE No. 96-87

No.	Plate	Name
52185	22231	Arm Oil Tube (short) with 42367, for oiling 52022.....
127204	22231	Arm Oil Tube with 52184, for oiling 127231.....
127187	22231	Arm Oil Tube with 42367, for oiling 127152, for 127193 and 150460.....
56015	22231	Arm Oil Tube for oiling 142006.....
52254	22231	" " " " 52262.....
42367	22231	" " " Packing (braided cotton) for 52185 and 127187.....
52184	22231	Arm Oil Tube Packing (wick) for 52180, 52183 and 127204.....
52290	22231	Arm Oil Tube Hole Plug.....
116E	22231	" Screw (back).....
854E	22232	" " (front).....
127265	22233	" Shaft (horizontal).....
127266	-----	" " " 127265 with 52196 and 127253.....
54897	22225	Arm Shaft (horizontal) Back Bearing Oil Cup.....
127072	22219	Arm Shaft (horizontal) Bevel Gear with two 1036C.....
142003	22219	Arm Shaft (horizontal) Bevel Gear Case (two pieces) with 51068R, 140184E and 142005.....
142005	22232	Arm Shaft (horizontal) Bevel Gear Case Alemite Fitting.....
140184E	22232	Arm Shaft (horizontal) Bevel Gear Case Plug Screw.....
51068R	22218	Arm Shaft (horizontal) Bevel Gear Case Screw.....
1036C	22218	Arm Shaft (horizontal) Bevel Gear Set Screw.....
52259	-----	Arm Shaft (horizontal) Flanged Bushing (back).....
52260	22219	Arm Shaft (horizontal) Flanged Bushing (back) 52259 with 52193 and 52289...
52193	22218	Arm Shaft (horizontal) Flanged Bushing (back) Oil Pad (inside) braided cotton.....
52289	22218	Arm Shaft (horizontal) Flanged Bushing (back) Oil Pad (outside) felt.....
448C	22218	Arm Shaft (horizontal) Flanged Bushing (back) Set Screw.....
52195	-----	Arm Shaft (horizontal) Flanged Bushing (front).....
52196	22219	Arm Shaft (horizontal) Flanged Bushing (front) 52195 with 52193 and 52198..

PARTS FOR MACHINE No. 96-87

No.	Plate	Name
52193	22218	Arm Shaft (horizontal) Flanged Bushing (front) Oil Pad (inside) braided cotton.....
52198	22218	Arm Shaft (horizontal) Flanged Bushing (front) Oil Pad (outside) felt.....
435C	22218	Arm Shaft (horizontal) Flanged Bushing (front) Set Screw.....
68350	22218	Arm Shaft (horizontal) Front Bearing Oil Cup.....
52261	-----	Arm Shaft (horizontal) Intermediate Bushing.....
52262	22219	Arm Shaft (horizontal) Intermediate Bushing 52261 with 52193 and 52263.....
52193	22218	Arm Shaft (horizontal) Intermediate Bushing Oil Pad (inside) braided cotton..
52263	22218	Arm Shaft (horizontal) Intermediate Bushing Oil Pad (outside) felt.....
423C	22218	Arm Shaft (horizontal) Intermediate Bushing Set Screw.....
144D	22218	Arm Shaft (horizontal) Screw.....
142006	22219	" " (upright).....
52281	22218	" " " Bevel Gear (lower) with two 1259C.....
1259C	22218	Arm Shaft (upright) Bevel Gear (lower) Set Screw.....
52282	22218	Arm Shaft (upright) Bevel Gear (upper) with two 1259C.....
1259C	22218	Arm Shaft (upright) Bevel Gear (upper) Set Screw.....
52275	-----	Arm Shaft (upright) Bushing (lower).....
52276	22219	" " " " 52275 with 52279 and 52280.....
432C	22218	Arm Shaft (upright) Bushing (lower) Set Screw.....
52277	-----	Arm Shaft (upright) Bushing (upper).....
52278	22219	" " " " 52277 with 52279 and 52280.....
443C	22218	Arm Shaft (upright) Bushing (upper) Set Screw.....
52280	22218	Arm Shaft (upright) Bushing Oil Pad (outside) felt.....
52279	22218	Arm Shaft (upright) Bushing Oil Wick (inside) braided cotton.....
12480	22232	Arm Side Cap.....
219J	22218	" " " Screw.....
127079	22219	" " " Cover.....
50053W	22218	" " " Thumb Screw.....
52239	22218	" Spool Pin and Thread Eyelet.....

PARTS FOR MACHINE No. 96-87

No.	Plate	Name
25866	22235	Guide.....
50190W	22220	" Thumb Screw.....
127243	22234	Needle Bar (hollow) for 127244.....
127282	-----	" " " 127283.....
127244	-----	" " 127243 with 51229D, 127245 and 127246, for size 16x231 Needle.....
127283	-----	Needle Bar 127282 with 51229D, 127245 and 127246, for size 16x233 Needle.....
Note: Needle Bar No. 127244 is sent with this Machine, unless otherwise stated on order.		
127230	22234	Needle Bar Bushing (lower).....
1133E	22232	" " " " Set Screw.....
52014	22234	" " " (upper).....
1133E	22232	" " " " Set Screw.....
127231	22234	" " Connecting Link with 52207....
127232	-----	" " " " 127231 with 24041.....
775E	22234	Needle Bar Connecting Link Cap Screw....
52207	22234	" " " " Lubricating Pad (wood).....
24041	22234	Needle Bar Connecting Stud with 207E....
207E	2834	" " " " Clamping Screw
127253	22235	" " Crank with 1036C, 1037C and 1065C.....
1065C	22234	Needle Bar Crank Position Screw.....
127245	22234	" " Thread Guard.....
51229D	22234	" " " " Screw.....
127246	22234	" Clamp with 140119F.....
140119F	22234	" " " " Screw.....
127191	22235	Oil Tube with 52045.....
127091	22235	" " Bracket.....
127092	22235	" " " 127091 with 127191, for oiling 52165.....
52045	22241	Oil Tube Packing (wick).....
12391	22235	Presser Bar (hollow).....
52338	22234	" " Guide Bracket with 223C and 453C.....
453C	22234	Presser Bar Guide Bracket Set Screw.....
5990	22234	" " Lifter.....
689C	22234	" " " " Hinge Screw.....
1520J	22234	" " " " " Nut.....
12327	22236	" " " " Lifting and Releasing Lever Bracket.....
127108	22235	Presser Bar Spring.....
11170	22236	" " " " Washer.....
62527	22225	" " Foot Hinge Pin... ..
127233	-----	" " " " Plate.....
26231	22236	" " " " Spring.....

PARTS FOR MACHINE No. 96-87

No.	Plate	Name
52390	-----	Presser Foot Shank.....
127234	22236	Presser Foot (spring hinged) complete, Nos. 26231, 52390, 62527 and 127233..
Note: Presser Foot No. 127234 is sent with this Machine, unless otherwise stated on order.		
131256	22236	Presser Foot Hinge Pin.....
665J	22236	" " " " Set Screw.....
127257	-----	" " " " Plate.....
127258	-----	" " " " Shank with 665J.....
127259	22236	" " " " Thread Cutter.....
239E	22236	" " " " " Screw.....
127260	22236	Presser Foot (hinged) with Thread Cutter complete, Nos. 239E, 127257 to 127259 and 131256.....
176J	22220	Presser Foot Screw.....
688W	22236	Pressure Regulating Thumb Screw.....
127095	22237	Rotating Hook with three 1253C.....
127096	-----	" " " 127095 with 127102 and four 1053E.....
*127239	-----	Rotating Hook 127096 with 40274, 127242 and three 1367E.....
127097	-----	Rotating Hook 127096 with 40274 and three 1367E (for Agents only).....
127240	-----	Rotating Hook 127239 with 52237.....
40264	22237	" " " " Bobbin.....
52235	-----	" " " " " Case.....
52236	-----	" " " " " 52235 with 591F, 1380E and 40394.....
40392	22237	Rotating Hook Bobbin Case Latch.....
125320	22237	" " " " " " Lever....
2974	22237	" " " " " " Fulcrum Pin.....
2975	22237	Rotating Hook Bobbin Case Latch Spring...
592E	22237	" " " " " " Stop Screw
40393	-----	" " " " " " Hinge, Nos.2974 40392 and 125320.....
591F	22237	Rotating Hook Bobbin Case Tension Regulating Screw.....
40394	22237	Rotating Hook Bobbin Case Tension Spring.
1380E	22237	" " " " " " " Screw.....
52237	22237	Rotating Hook Bobbin Case complete, Nos. 592E, 2975, 40393 and 52236.....
127241	-----	Rotating Hook Bobbin Case 52237 with 127242.....
127242	22237	Rotating Hook Bobbin Case Holder.....
52018	22237	" " " " " " Position Bracket.....

PARTS FOR MACHINE No. 96-87

No.	Plate	Name
704J	22237	Rotating Hook Bobbin Case Holder Position Bracket Screw.....
40274	22237	Rotating Hook Section.....
1367E	22237	" " " Screw.....
1253C	22237	" " " Set Screw.....
127292	22233	" " " Shaft.....
127073	22238	" " " Bevel Gear with two 1259C.....
142004	22235	Rotating Hook Shaft Bevel Gear Case (two pieces) with 51068R, 140184E and 142005.....
142005	22232	Rotating Hook Shaft Bevel Gear Case Alemite Fitting.....
140184E	22232	Rotating Hook Shaft Bevel Gear Case Plug Screw.....
51068R	22218	Rotating Hook Shaft Bevel Gear Case Screw
1259C	22218	" " " " " Set Screw.
52285	-----	" " " " Bushing (back).....
52286	22238	" " " " " 52285 with 52279 and 52280.....
1148C	22238	Rotating Hook Shaft Bushing (back) Set Screw.....
52287	-----	Rotating Hook Shaft Bushing (front).....
52288	22238	" " " " " 52287 with 52279 and 52280.....
142008	22238	Rotating Hook Shaft Bushing (front) Oil Cup.....
1148C	22238	Rotating Hook Shaft Bushing (front) Set Screw.....
52280	22218	Rotating Hook Shaft Bushing Oil Pad (outside) felt.....
52279	22218	Rotating Hook Shaft Bushing Oil Wick (inside) braided cotton.....
127102	22238	Rotating Hook Thread Guard.....
1053E	22238	" " " " " Screw.....
52337	22238	Slack Thread Regulator.....
223C	22238	" " " " " Set Screw.....
2102	3471	Tension Disc.....
1560C	22238	" " " " " Regulating Thumb Nut.....
32572	22238	" " " " " Releasing Disc.....
52445	22238	" " " " " Lever.....
12398	22238	" " " " " Hinge Pin.....
12329	22238	" " " " " Spring.....
32574	22238	" " " " " Pin.....
2103	22238	" " " " " Spring.....
50304C	22238	" " " " " Stud.....
52098	-----	" " " " " 50304C with 1560C.....
50305C	22238	" " " " " Set Screw.....

PARTS FOR MACHINE No. 96-87

No.	Plate	Name
52397	-----	Tension complete, Nos. 2103, 32572, 32574 52063, 52098, 52394 and two 2102.....
52027	22239	Thread Guard (side of arm).....
52454	22239	" " " Retainer.....
624C	22239	" " " " " Set Screw.....
127235	-----	Thread Take-up complete, Nos. 11204, 52025 and 127237.....
127236	22239	Thread Take-up Crank.....
127237	-----	" " " " " 127236 with 775E and 127232.....
1037C	22225	Thread Take-up Crank Position Screw.....
1036C	22218	" " " " " Set Screw.....
52022	22225	" " " " " Lever with 52130.....
52023	22225	" " " " " Hinge Pin.....
52024	22225	" " " " " Link.....
11204	22225	" " " " " " Hinge Pin.....
435C	22218	" " " " " " " " " Set Screw.....
52130	22225	Thread Take-up Lever Thread Eyelet Bushing.....
52025	-----	Thread Take-up Lever complete, Nos. 52022 to 52024.....
52394	22239	Thread Take-up Spring.....
52083	22239	" " " " " Regulator with 50305C.....
448C	22218	Thread Take-up Spring Regulator Set Screw
127238	22236	Throat Plate for 127229.....
691F	22236	" " " " " Screw.....
*15404	-----	Trade Mark.....
15405	-----	" " " " " Rivet.....
44212	7734	Drip Pan with four 1 in. wire nails.....

MACHINE No. 96-107

For Cloth, Tailoring, etc. Maximum stitch 5 1/2 to the inch. Drop feed. The machine is fitted with heavy gear shafts; a plain bushed intermediate bearing, also front and rear ball bearings for the arm shaft. The gears are lubricated with grease instead of oil. The grease is applied with Alemite Zerk hand pressure gun. Clearance under presser foot 3/8 inch. Speed 3800 R. P. M.

NOTE: THIS MACHINE IS THE SAME AS THE 96-87 MACHINE WITH THE FOLLOWING EXCEPTIONS:

No.	Plate	Name
*127264	-----	Arm with 15404 and two each 15405 and 56015, in place of 127263.....
Note: Due to the accuracy required for gear alignment, Arm cannot be supplied separately and can only be sent out as a unit, Arm and Bed assembled.		
127267	22233	Arm Shaft (horizontal) with 127067, in place of 127265.....
127268	-----	Arm Shaft (horizontal) 127267 with 127199 in place of 127266.....
54897	22225	Arm Shaft (horizontal) Back Bearing Oil Cup, in place of 68350.....
52146	22225	Arm Shaft (horizontal) Back Bearing Oil Cup Pad (braided cotton).....
127011	22235	Arm Shaft (horizontal) Ball Bearing (back) in place of 52260.....
*127143	-----	Arm Shaft (horizontal) Ball Bearing (back) Cover.....
127144	22235	Arm Shaft (horizontal) Ball Bearing (back) Cover 127143 with 127145.....
*127145	-----	Arm Shaft (horizontal) Ball Bearing (back) Cover Oil Lead.....
219J	22218	Arm Shaft (horizontal) Ball Bearing (back) Cover Screw.....
52486	22225	Arm Shaft (horizontal) Ball Bearing (back) Locking Pin.....
52487	22225	Arm Shaft (horizontal) Ball Bearing (back) Locking Pin Cone.....
446C	22225	Arm Shaft (horizontal) Ball Bearing (back) Locking Pin Cone Screw.....
127066	22235	Arm Shaft (horizontal) Ball Bearing (front) in place of 52196.....

No.	Plate	Name
127009	22235	Arm Shaft (horizontal) Ball Bearing (front) Cover.....
401E	22225	Arm Shaft (horizontal) Ball Bearing (front) Cover Screw.....
127067	22225	Arm Shaft (horizontal) Ball Bearing (front) Key.....
52240	22219	Arm Shaft (horizontal) Bevel Gear Case Holder, in place of 52259.....
52146	22225	Arm Shaft (horizontal) Front Bearing Oil Pad (braided cotton).....
127254	22235	Needle Bar Crank with 1036C, 1037C and 1065C.....
127199	-----	Needle Bar Crank 127254 with 401E and 127009, in place of 127253.....

Genuine Singer Needles should be used in Singer Machines. These Needles and their Containers are marked with the Company's Trade Mark "SIMANCO."

Needles in Containers marked "For Singer Machines" are not Singer made needles.

ACCESSORIES

No.	Plate	Name
121587	22233	Grease Gun (3 oz. capacity) for Fitting No. 142005.....
121588	-----	Grease Gun (1/2 lb. capacity) for Fitting No. 142005.....
20022	22225	Machine Cushion (felt).....
27878	22225	" " Rivet.....
12361	7730	" Hinge Connection.....
44139	7730	" " Plate.....
44140	-----	Machine Hinge complete, Nos. 12361, 44139 and merlized wood screw 1-1/4 in. No. 14.....
41400	22235	Machine Rest Pin (wood).....
120342	21835	Oiler (copper plated) with 120343.....
120343	21835	" Spout, 3-1/2 in. long.....
26026	21835	Screw Driver (large).....
26485	21835	" " (small).....
8909	21835	Wrench for 1513 and 1518.....
8908	21835	" " 1519 and 1520.....

BOBBIN WINDERS

BOBBIN WINDER

(SWINGING AUTOMATIC, LEFT HAND)

No.	Plate	Name
41913	21834	Bracket with 457C.....
41583	21834	Frame with 457C.....
34105	21834	" Hinge Pin.....
457C	22225	" " " Set Screw.....
41914	21834	" Spring.....
41585	21834	Pulley with 171J.....
171J	22225	" Set Screw.....
41586	21834	Spindle.....
41587	21834	Stop Latch.....
42614	21834	" " Hinge Stud.....
457C	22225	" " " Set Screw.....
7958	22225	" " Stop Pin.....
41588	21834	" " Tripping Arm with 185H.....
185H	22225	" " " Clamping Screw.....
150459	21834	Tension Bracket with 460C.....

BOBBIN WINDER

No.	Plate	Name
150460	-----	Tension Bracket complete, Nos. 41593 to 41595, 52183, 52239, 127187, 127255, 150459 and two 2455.....
127255	22218	Tension Bracket Positioning Disc.....
158J	22218	" " Screw.....
52239	22218	" " Spool Pin and Thread Eye-let.....
8879	22232	Tension Bracket Spool Pin Washer (cloth).....
2455	2834	" Disc.....
41593	22239	" Spring.....
41594	22239	" Stud.....
460C	22239	" " Set Screw.....
41595	22239	" Thread Guide.....
60845	-----	Bobbin Winder, Nos. 7958, 34105, 41583, 41585 to 41588, 41913, 41914 and 42614.....
41915	21834	Bobbin Winder 60845 with 880E and 25446..
150461	-----	Bobbin Winder (swinging automatic, left hand) complete, Nos. 41915 and 150460
880E	22239	Bobbin Winder Screw.....
25446	22239	" " " Washer.....

BOBBIN WINDER

(SWINGING AUTOMATIC, RIGHT HAND)

No.	Plate	Name
41339	2833	Base.....
41340	2833	Frame.....
1429D	2834	" Hinge Screw.....
41341	2833	" Spring.....
207J	2834	" " Screw.....
41342	2833	Pulley with 200F.....
200F	2834	" Set Screw.....
41343	2834	Spindle.....
27306	2834	Spool Pin.....
27307	2833	" Stand.....
27308	2833	Spool Stand complete, Nos. 418E, 1562J, 2106, 10141, 11241, 27306, 27307 and two each 2455 and wood screws 1 in. No. 10.....
11241	2833	Spool Washer (cloth).....
41344	2834	Stop Latch.....
41345	2834	" " Finger.....
152F	2834	" " " Screw.....

BOBBIN WINDER

No.	Plate	Name
1430D	2834	Stop Latch Hinge Screw.....
1550H	2834	" " " " Nut.....
41346	2834	" " Lever.....
1430D	2834	" " Hinge Screw.....
2455	2834	Tension Disc.....
1562J	2834	" Regulating Thumb Nut.....
418E	2834	" Screw Stud.....
10141	2834	" Spring.....
2106	2834	" Thread Guide.....
60456	-----	Bobbin Winder, Nos. 152F, 207J, 1429D, 1550H, 41339 to 41346 and three 1430D
41347	2833	Bobbin Winder, Nos. 60456 and two each 9331 and wood screws 1 in. No. 10 R.H
41348	-----	Bobbin Winder (swinging automatic, right hand) complete, Nos. 27308 and 41347.
9331	2834	Bobbin Winder Washer.....

BOBBIN WINDER

(SWINGING AUTOMATIC, RIGHT HAND)

FOR POWER TABLE

No.	Plate	Name
225433	3469	Bobbin Winder and Tension Bracket Base...
225453	3470	Frame with 202277 and 225438.....
225454	3471	" Hinge Pin.....
202277	3471	" Oil Packing (wick).....
225438	3471	" Well Cap.....
225455	3471	" Spring.....
225456	3471	" Plunger.....
202473	3470	Pulley with 200360C.....
200360C	3471	" Set Screw.....
225361	3470	Spindle.....
225444	3471	Stop Latch.....
200056E	3471	" " Screw.....
225458	3471	" " Thumb Lever.....
225459	3471	" " " Hinge Stud.....
225459	3471	" " " Joint Stud.....
202478	3471	" " Trip Lever.....
200299H	3471	" " " Hinge Screw.....
225461	3471	Tension Bracket with 201499B.....
200082D	3471	" " Screw.....
228026	-----	" " Washer.....
2102	3471	" Disc.....
202407	3471	" Spring.....
201499B	3471	" Stud.....

BOBBIN WINDER

No.	Plate	Name
201572B	3471	Tension Stud Thumb Nut.....
225462	-----	Tension Bracket complete, Nos. 201572B, 202407, 225461 and two 2102.....
225362	3469	Bobbin Winder complete, Nos. 200056E, 200082D, 200299H, 202473, 202478, 225381, 225433, 225444, 225453 to 225456, 225458, 225462, 228026, two each 225459 and wood screws 3/4 in. No. 12 R.H.....

FINGER GUARDS

No.	Plate	Name
121326	22239	Finger Guard.....
36819	22239	" " Friction Washer.....
36820	22239	" " Holder with 196J.....
196J	22239	" " " Set Screw.....
50316J	22239	" " Screw.....
121327	22239	Finger Guard (metal) complete, Nos. 36819 36820, 50316J and 121326.....
120857	22239	Finger Guard.....
120858	22239	" " Holder with 50302J.....
50302J	22239	" " " Set Screw.....
236J	22239	" " Screw.....
120860	22239	Finger Guard (wire) complete, Nos. 120857 120858 and two 236J.....

FOOT LIFTER PARTS

No.	Plate	Name
5596	22241	Bell Crank.....
56848	-----	" " 5596 with 5599 and 5601.....
5599	22241	" " Bracket.....
178E	22230	" " " Screw.....
5601	22230	" " Hinge Pin.....
5735	7730	" " Spring.....
5598	22241	Bell Crank complete, Nos. 5735 and 56848.
5670	-----	Chain, length 26 in. to 35 in. with 56864 and 56865.....
Note: When ordering No. 5670, state length required		
4879	7730	Chain Connecting Link.....
56864	7730	" Hook (large).....
56865	7730	" " (small).....
12237	22233	Lifting Lever with 448C.....

FOOT LIFTER PARTS

No.	Plate	Name
52028	22235	Lifting Lever Connecting Rod.....
12416	22241	" " " " Joint.....
76D	22230	" " " " Hinge Screw.....
1521J	22230	Lifting Lever Connecting Rod Lock Nut....
802D	22230	" " Hinge Screw.....
12241	22241	" " Link.....
766D	22230	" " Hinge Screw.....
12240	22230	" " Pin.....
448C	22218	" " Set Screw.....
2763	819	Rock Shaft.....
12242	819	" " Hanger with two wood screws 1 in. No. 10.....
6337	319	Rock Shaft Lifting Bracket with two 356C.
12243	819	" " " " Hook.....
7125	819	" " " " Hook.....
356C	22230	" " " " Set Screw.....
356C	22230	" " " " Set Screw.....
2770	819	" " Stop Dog with 356C.....
356C	22230	" " " " Set Screw.....
4880	819	Rock Shaft complete, Nos. 2763, 2770, 7125, 12243 and two each 6337 and 12242....
4881	819	Treadle.....
4882	22230	" Shaft.....
4883	22230	" Spring.....
4884	819	" Stand.....
4885	819	Treadle complete, Nos. 4879, 4881 to 4884 and two wood screws 1 in. No. 16....
52319	-----	Foot Lifter complete, Nos. 76D, 766D, 802D, 1521J, 4880, 4885, 5598, 5670, 12237, 12240, 12241, 12416, 52028 and two 178E.....

HEMMERS (foot)

No.	Plate	Name
120938	5921	Hemmer (foot) for 3/32 in. hem.....
120803	5919	" " " 1/8 in. hem.....
120804	5919	" " " 5/32 in. hem.....
120805	5919	" " " 3/16 in. hem.....
36122	-----	" " " 7/32 in. hem.....
120806	5920	" " " 1/4 in. hem.....
120807	5920	" " " 5/16 in. hem.....
35710	-----	" " " 3/32 in. hem, with guide on bottom to the right of needle hole...

HEMMERS (foot)

No.	Plate	Name
35682	22240	Hemmer (foot) 1/8 in. hem, with guide on bottom to the right of needle hole...
36524	-----	Hemmer (foot) 5/32 in. hem, with guide on bottom to the right of needle hole...
35997	-----	Hemmer (foot) 3/16 in. hem, with guide on bottom to the right of needle hole...
36309	-----	Hemmer (foot) 7/32 in. hem, with guide on bottom to the right of needle hole...
36072	-----	Hemmer (foot) 1/4 in. hem, with guide on bottom to the right of needle hole...
120898	5921	Hemmer (foot) for 1/16 in. to 1/8 in. hem for China Silk, etc.....
120911	5921	Hemmer (foot) for 5/32 in. to 1/4 in. hem for China Silk, etc.....
36413	-----	Hemmer (foot) plain bottom, 1/16 in. hem.
36414	-----	" " " " 3/32 in. hem.
36480	-----	" " " " 5/32 in. hem.
36416	-----	" " " " 3/16 in. hem.
120837	5920	" " " " 1/8 in. hem, slotted for lace.....

HEMMERS ON SHANK

No.	Plate	Name
35926	-----	Hemmer.....
590J	22240	" Adjusting Screw.....
1443B	22240	" Screw.....
35927	-----	" Shank.....
35540	5882	Hemmer on Shank (adjustable) complete, with right hand lower guide for lace, Nos. 1443B, 35926, 35927 and two 590J
20163	5882	Feed Dog, for 1/16 in. stitch, 16 teeth (16 teeth to the inch) for 20123, for 35540.....
62527	22225	Presser Foot Hinge Pin.....
40316	-----	" " Plate.....
40317	-----	" " Shank.....
40318	5882	Presser Foot (hinged) complete, for lace running, for 35540, Nos. 40316, 40317 and 62527.....
20123	5882	Throat Plate for 20163, for 35540.....
35236	22235	Hemmer on Shank, for 7/16 in. hem and above, for bottom of shirt waists....
26603	22240	Feed Dog, 20 teeth (16 teeth to the inch) for 26605 and 26606, for 35236.....
52055	22240	Presser Foot for 35236.....

HEMMERS ON SHANK

No.	Plate	Name
26605	22240	Throat Plate (large needle hole) for 26603.....
26606	-----	Throat Plate (small needle hole) for 26603.....

KNEE LIFTER PARTS

No.	Plate	Name
5596	22241	Bell Crank.....
56848	-----	" " 5596 with 5599 and 5601.....
5599	22241	" " Bracket.....
178E	22230	" " " Screw.....
5601	22230	" " Hinge Pin.....
5735	7730	" " Spring.....
5598	22241	Bell Crank complete, Nos. 5735 and 56848.
12237	22233	Lifting Lever with 448C.....
52028	22235	" " Connecting Rod.....
12416	22241	" " " " Joint.....
76D	22230	" " " " " Hinge Screw.....
1521J	22230	Lifting Lever Connecting Rod Lock Nut....
802D	22230	" " Hinge Screw.....
12241	22241	" " Link.....
766D	22230	" " Hinge Screw.....
12240	22230	" " Pin.....
448C	22218	" " Set Screw.....
2763	21823	Rock Shaft.....
7539	21823	" " Hanger with two wood screws 1 in. No. 10.....
2765	21823	Rock Shaft Knee Arm.....
2766	21823	" " " " Hub with 356C.....
356C	22230	" " " " Set Screw.....
2768	-----	Rock Shaft Knee Arm complete, Nos. 2765 to 2767.....
2767	21823	Rock Shaft Knee Plate with 356C.....
356C	22230	" " " " Set Screw.....
6337	21823	" " Lifting Bracket with two 356C.
2778	21823	" " " " Hook.....
356C	22230	" " " " Set Screw.....
356C	22230	" " " " Set Screw.....
2770	21823	" " Stop Dog with 356C.....
356C	22230	" " " " Set Screw.....
12250	21823	Rock Shaft complete, Nos. 2763, 2768, 2778, 6337 and two each 2770 and 7539.....
52320	-----	Knee Lifter complete (power table) Nos. 76D, 766D, 802D, 1521J, 5598, 12237, 12240, 12241, 12250, 12416, 52028 and two 178E.....

MACHINE BASE

No.	Plate	Name
19219	22225	Bed Frame Cushion (leather).....
158C	22218	" " " Screw.....
19220	7730	" " " Spring.....
19226	7730	" " Hinge Connection.....
19398	-----	" " " " 19226 with 211F and 19397.....
19397	22225	Bed Frame Hinge Connection Cap.....
211F	22225	" " " " " Screw.....
16555	773C	" " " Plate.....
14010	22225	" " " Rivet.....
20067	819	" " with two each 16555, 19398, four each 19219, 19220, six each 14010, wood screws 1-1/4 in. No. 12 and eight 158C.....

PRESSER FEET

No.	Plate	Name
36464	22240	Presser Foot Spring Guide.....
665J	22236	" " " " Screw.....
36465	22240	Presser Foot (right hand spring guide) with 665J and 36464, for 1/32 in. to 5/16 in. gauges.....
Note: When ordering No. 36464 or 36465, state required distance from edge of goods to seam.		
35574	2224C	Presser Foot.....
36575	-----	" " 36574 with 36576 and two 50202J.....
36576	22240	Presser Foot Finger Guard.....
50202J	22240	" " " " Screw.....
36714	-----	" " with 233J.....
36715	22241	" " Guide (right) with 36716....
233J	22241	" " " Set Screw.....
36716	22241	" " Stud.....
36717	22241	Presser Foot complete with adjustable guide (right) Nos. 36714 and 36715...
36773	22241	Presser Foot for braiding.....
120828	22241	" " (single toe) for gathering, for fine work.....

THREAD UNWINDER

FOR TWO SPOOLS OR TWO LARGE CONES OF THREAD

No.	Plate	Name
225257	20335	Spool Rest with 201018C.....
150203	20335	" " Cushion (felt).....
225388	20335	" " Rod.....
200383C	22230	" " " Set Screw.....
201018C	22230	" " " Set Screw.....
202490	20335	" Stand with 200383C.....
225391	20335	Thread Guide.....
201696J	22230	" " Lock Nut.....
225326	20335	" " Position Cup.....
225324	20335	" Rod with 208E and 225322....
208E	22230	" " " Screw.....
225322	22230	" " " Washer.....
225258	20335	Thread Unwinder complete, Nos. 201696J, 202490, 225257, 225324, 225326, 225388 two each 150203, 225391 and three wood screws 7/8 in. No. 12 F.H.....
27739	7234	Thread Cone (wood) for large cones.....
225390	7234	" " Holder, for inverted cones...

Note: Nos. 27739 and 225390 are used with, but not included in 225258.

Genuine Singer Needles should be used
in Singer Machines.
These Needles and their Containers
are marked with the
Company's Trade Mark "SIMANCO." 1

Needles in Containers marked
"For Singer Machines"
are not Singer made needles. 2

NUMERICAL LIST OF PARTS

No.	Plate	Name
76D	22230	Lifting Lever Connecting Rod Joint Hinge Screw, for 52319 and 52320.....
116E	22231	Arm Screw (back).....
144D	22218	" Shaft (horizontal) Screw.....
152F	2834	Bobbin Winder Stop Latch Finger Screw, for 60456.....
157J	22220	Feed Lifting Rock Shaft Crank Clamping Screw, for 52265.....
157J	22220	Feed Rock Shaft Crank Clamping Screw, for 29633.....
158J	22218	Arm Top Cover Screw.....
158C	22218	Bed Frame Cushion Screw, for 20067.....
158J	22218	Bobbin Winder Tension Bracket Screw, for 150461.....
171J	22225	Bobbin Winder Pulley Set Screw, for 41585
176J	22220	Face Plate Screw.....
176J	22220	Presser Foot Screw.....
178E	22230	Bell Crank Bracket Screw, for 52319 and 52320.....
185H	22225	Bobbin Winder Stop Latch Tripping Arm Clamping Screw, for 41588.....
196J	22239	Finger Guard Holder Set Screw, for 36820.
200F	2834	Bobbin Winder Pulley Set Screw, for 41342.
207J	2834	" " Frame Spring Screw, for 60456.....
207E	2834	Needle Bar Connecting Stud Clamping Screw for 24041.....
208E	22230	Thread Unwinder Thread Guide Rod Screw, for 225324.....
211F	22225	Bed Frame Hinge Connection Cap Screw, for 19398.....
219J	22218	Arm Shaft (horizontal) Ball Bearing (back) Cover Screw, for 96-107 Machine
219J	22218	Arm Side Cap Screw.....
223C	22238	Slack Thread Regulator Set Screw, for 52338.....
226J	22220	Face Plate Thread Guard (lower) Screw, for 52052.....
226J	22220	Face Plate Thread Guard (upper) Screw, for 52052.....
233J	22241	Presser Foot Guide Set Screw, for 36714..
236J	22239	Finger Guard Screw, for 120860.....
239E	22230	Presser Foot Thread Cutter Screw, for 127260.....

NUMERICAL LIST OF PARTS

No.	Plate	Name
313C	22230	Feed Bar Screw Center, for 56613.....
356C	22230	Rock Shaft Knee Arm Hub Set Screw, for 2766.....
356C	22230	Rock Shaft Knee Plate Set Screw, for 2767
356C	22230	" " Lifting Bracket Hook Set Screw for 6337.....
356C	22230	Rock Shaft Lifting Bracket Set Screw, for 6337.....
356C	22230	Rock Shaft Stop Dog Set Screw, for 2770..
375C	22220	Feed Connecting Link Hinge Screw, for 52393.....
375C	22220	Feed Forked Connection Hinge Screw.....
375C	22220	" Lifting Rock Shaft Connecting Rod Hinge Screw.....
401E	22225	Arm Shaft (horizontal) Ball Bearing (front) Cover Screw, for 127199.....
418E	2834	Bobbin Winder Tension Screw Stud, for 27308.....
423C	22218	Arm Shaft (horizontal) Intermediate Bushing Set Screw.....
432C	22218	Arm Shaft (upright) Bushing (lower) Set Screw.....
435C	22218	Arm Shaft (horizontal) Flanged Bushing (front) Set Screw, for 96-87 Machine.
435C	22218	Thread Take-up Lever Link Hinge Pin Set Screw.....
443C	22218	Arm Shaft (upright) Bushing (upper) Set Screw.....
446C	22225	Arm Shaft (horizontal) Ball Bearing (back) Locking Pin Cone Screw, for 96-107 Machine.....
448C	22218	Arm Shaft (horizontal) Flanged Bushing (back) Set Screw, for 96-87 Machine..
448C	22218	Balance Wheel Set Screw, for 127261.....
448C	22218	Feed and Feed Lifting Eccentric Set Screw for 127202.....
448C	22218	Lifting Lever Pin Set Screw, for 12237...
448C	22218	Thread Take-up Spring Regulator Set Screw
453C	22234	Presser Bar Guide Bracket Set Screw, for 52338.....
457C	22225	Bobbin Winder Frame Hinge Pin Set Screw, for 41583.....
457C	22225	Bobbin Winder Stop Latch Hinge Stud Set Screw, for 41913.....
460C	22239	Bobbin Winder Tension Stud Set Screw, for 150459.....
590J	22240	Hemmer Adjusting Screw, for 35540.....
591F	22237	Rotating Hook Bobbin Case Tension Regulating Screw, for 52236.....

NUMERICAL LIST OF PARTS

No.	Plate	Name
592E	22237	Rotating Hook Bobbin Case Latch Stop Screw, for 52237.....
624C	22239	Thread Retainer Set Screw.....
665J	22236	Presser Foot Hinge Pin Set Screw, for 127258.....
665J	22236	Presser Foot Spring Guide Screw, for 36465
688W	22236	Pressure Regulating Thumb Screw.....
689C	22234	Presser Bar Lifter Hinge Screw.....
691F	22236	Throat Plate Screw.....
704J	22237	Rotating Hook Bobbin Case Holder Position Bracket Screw.....
725J	22220	Bed Slide Spring Screw, for 12432.....
766D	22230	Lifting Lever Link Hinge Screw, for 52319 and 52320.....
775E	22234	Needle Bar Connecting Link Cap Screw, for 127237.....
802D	22230	Lifting Lever Hinge Screw, for 52319 and 52320.....
818W	22232	Feed Regulator Thumb Screw, for 52093....
854E	22232	Arm Screw (front).....
880E	22239	Bobbin Winder Screw, for 41915.....
966E	22220	Feed Lifting Rock Shaft Connecting Rod Cap Screw, for 127156.....
1036C	22218	Arm Shaft (horizontal) Bevel Gear Set Screw, for 127072.....
1036C	22218	Thread Take-up Crank Set Screw, for 127253 and 127254.....
1037C	22225	Thread Take-up Crank Position Screw, for 127253 and 127254.....
1053E	22238	Rotating Hook Thread Guard Screw, for 127096.....
1065C	22234	Needle Bar Crank Position Screw, for 127253 and 127254.....
1128E	22232	Feed Regulator Hinge Screw.....
1133E	22232	Needle Bar Bushing (lower) Set Screw....
1133E	22232	" " " (upper) Set Screw....
1148C	22238	Rotating Hook Shaft Bushing (back) Set Screw.....
1148C	22238	Rotating Hook Shaft Bushing (front) Set Screw.....
1253C	22237	Rotating Hook Set Screw, for 127095.....
1259C	22218	Arm Shaft (upright) Bevel Gear (lower) Set Screw, for 52261.....
1259C	22218	Arm Shaft (upright) Bevel Gear (upper) Set Screw, for 52282.....
1259C	22218	Rotating Hook Shaft Bevel Gear Set Screw, for 127073.....
1299C	22220	Feed and Feed Lifting Eccentric Position Screw, for 127202.....

NUMERICAL LIST OF PARTS

No.	Plate	Name
1367E	22237	Rotating Hook Section Screw, for 127097 and 127239.....
1380E	22237	Rotating Hook Bobbin Case Tension Spring Screw, for 52236.....
1429D	2834	Bobbin Winder Frame Hinge Screw, for 60456
1430D	2834	" " Stop Latch Hinge Screw, for 60456.....
1430D	2834	Bobbin Winder Stop Latch Lever Hinge Screw, for 60456.....
1443B	22240	Hemmer Screw, for 35540.....
1513J	22232	Feed Lifting Rock Shaft Screw Center Nut, for 52097.....
1513J	22232	Feed Rock Shaft Screw Center Nut, for 52097.....
1518J	22220	Feed Connecting Link Hinge Screw Nut, for 52393.....
1518J	22220	Feed Forked Connection Hinge Screw Nut...
1518J	22220	" Lifting Rock Shaft Connecting Rod Hinge Screw Nut.....
1519J	22220	Feed Bar Screw Center Nut, for 56813.....
1520J	22234	Presser Bar Lifter Hinge Screw Nut.....
1521J	22230	Lifting Lever Connecting Rod Lock Nut, for 52319 and 52320.....
1550H	2834	Bobbin Winder Stop Latch Hinge Screw Nut, for 60456.....
1560C	22238	Tension Regulating Thumb Nut, for 52098..
1562J	2834	Bobbin Winder Tension Regulating Thumb Nut, for 27308.....
2102	3471	Bobbin Winder Tension Disc, for 225462...
2102	3471	Tension Disc, for 52397.....
2103	22238	" Spring, for 52397.....
2106	2834	Bobbin Winder Tension Thread Guide, for 27308.....
2455	2834	Bobbin Winder Tension Disc, for 27308 and 150460.....
2763	819	Rock Shaft, for 4880.....
2763	21823	" " " 12250.....
2765	21823	" " Knee Arm, for 2768.....
2766	21823	" " " Hub with 356C, for 2768.....
2767	21823	Rock Shaft Knee Plate with 356C, for 2768
2768	-----	Rock Shaft Knee Arm complete for 12250, Nos. 2765 to 2767.....
2770	819	Rock Shaft Stop Dog with 356C, for 4880..
2770	21823	" " " 356C, for 12250.
2778	21823	" " Lifting Bracket Hook, for 12250
2974	22237	Rotating Hook Bobbin Case Latch Lever Fulcrum Pin, for 40393.....

NUMERICAL LIST OF PARTS

No.	Plate	Name
2975	22237	Rotating Hook Bobbin Case Latch Spring, for 52237.....
4307	22220	Bed Slide Spring, for 12432.....
4879	7730	Chain Connecting Link, for 4885.....
4880	819	Rock Shaft complete for 52319, Nos. 2763, 2770, 7125, 12243 and two each 6337 and 12242.....
4881	819	Treadle, for 4885.....
4882	22230	" Shaft, for 4885.....
4883	22230	" Spring, for 4885.....
4884	819	" Stand, for 4885.....
4885	819	Treadle complete for 52319, Nos. 4879, 4881 to 4884 and two wood screws 1 in. No. 16.....
5596	22241	Bell Crank, for 56848.....
5598	22241	Bell Crank complete for 52319 and 52320, Nos. 5735 and 56848.....
5599	22241	Bell Crank Bracket, for 56848.....
5601	22230	" " Hinge Pin, for 56948.....
5670	-----	Chain, length 26 in. to 35 in., with 56864 and 56865, for 52319.....
5735	7730	Bell Crank Spring, for 5598.....
5990	22234	Presser Bar Lifter.....
6337	819	Rock Shaft Lifting Bracket with two 356C, for 4880.....
6337	21823	Rock Shaft Lifting Bracket with two 356C, for 12250.....
7125	819	Rock Shaft Lifting Bracket Hook, for 4880.
7539	21823	" " Hanger with two wood screws 1 in. No. 10, for 12250.....
7958	22225	Bobbin Winder Stop Latch Stop Pin, for 60845.....
8879	22232	Arm Spool Pin Washer (cloth).....
8879	22232	Bobbin Winder Tension Bracket Spool Pin Washer (cloth).....
8909	21835	Wrench for 1519 and 1520 (Accessories)...
8909	21835	" " 1513 and 1518 (Accessories)...
9331	2834	Bobbin Winder Washer, for 41347.....
10141	2834	" " Tension Spring, for 27308..
11170	22236	Presser Bar Spring Washer.....
11204	22225	Thread Take-up Lever Link Hinge Pin, for 127235.....
11241	2833	Bobbin Winder Spool Washer (cloth) for 27308.....
12237	22233	Lifting Lever with 448C, for 52319 and 52320.....
12240	22230	Lifting Lever Pin, for 52319 and 52320...
12241	22241	" " Link, for 52319 and 52320...

NUMERICAL LIST OF PARTS

No.	Plate	Name
12242	819	Rock Shaft Hanger with two wood screws 1 in. No. 10, for 4880.....
12243	819	Rock Shaft Lifting Bracket Hook, for 4880
12250	21823	Rock Shaft complete for 52320, Nos. 2763, 2768, 2778, 6337 and two each 2770 and 7539.....
12327	22236	Presser Bar Lifting and Releasing Lever Bracket.....
12329	22238	Tension Releasing Lever Spring.....
12361	7730	Machine Hinge Connection, for 44140.....
12391	22235	Presser Bar (hollow).....
12398	22238	Tension Releasing Lever Hinge Pin.....
12416	22241	Lifting Lever Connecting Rod Joint, for 52319 and 52320.....
12431	-----	Bed Slide, for 12432.....
12432	22232	Bed Slide complete, Nos. 4307, 12431 and two 725J.....
12480	22232	Arm Side Cap.....
14010	22225	Bed Frame Hinge Plate Rivet, for 20067...
15404	-----	Trade Mark, for 127263 and 127264.....
15405	-----	" " Rivet, for 127263 and 127264..
16532	22231	Arm Dowel Pin.....
16555	7730	Bed Frame Hinge Plate, for 20067.....
19219	22225	" " Cushion (leather) for 20067....
19220	7730	" " " Spring, for 20067.....
19226	7730	" " Hinge Connection, for 19398....
19397	22225	" " " " Cap, for 19398.
19398	-----	" " " " 19226 with 211F and 19397, for 20067.....
20022	22225	Machine Cushion (felt) Accessories.....
20067	819	Bed Frame with two each 16555, 19398, four each 19219, 19220, six each 14010, wood screws 1-1/4 in. No. 12 and eight 158C.....
20123	5882	Throat Plate, for 20163, for 35540.....
20163	5882	Feed Dog, for 1/16 in. stitch, 16 teeth (16 teeth to the inch) for 20123, for 35540.....
20284	22233	Feed Forked Connection, for 52393.....
24041	22234	Needle Bar Connecting Stud with 207E, for 127232.....
25446	22239	Bobbin Winder Screw washer, for 41915....
25866	22235	Guide.....
26026	21835	Screw Driver (large) Accessories.....
26231	22236	Presser Foot Plate Spring, for 127234....
26485	21835	Screw Driver (small) Accessories.....
26603	22240	Feed Dog, 20 teeth (16 teeth to the inch) for 26605 and 26606, for 35236.....

NUMERICAL LIST OF PARTS

No.	Plate	Name
26605	22240	Throat Plate (large needle hole) for 26603.....
26606	-----	Throat Plate (small needle hole) for 26603.....
27306	2834	Bobbin Winder Spool Pin, for 27308.....
27307	2833	" " " Stand, for 27308.....
27308	2833	Bobbin Winder Spool Stand complete for 41348, Nos. 448E, 1562J, 2106, 10141, 11241, 27306, 27307 and two each 2455 and wood screws 1 in. No. 10.....
27739	7234	Thread Unwinder Thread Cone (wood) for large cones, for 225258.....
27878	22225	Machine Cushion Rivet (Accessories).....
29633	22232	Feed Rock Shaft Crank with 157J, for 52367
32572	22238	Tension Releasing Disc, for 52397.....
32574	22238	" " Pin, for 52397.....
34105	21834	Bobbin Winder Frame Hinge Pin, for 60845.
35236	22235	Hemmer on Shank, for 7/16 in. hem and above, for bottom of shirt waists....
35540	5882	Hemmer on Shank (adjustable) complete, with right hand lower guide, for lace Nos. 1443B, 35926, 35927 and two 590J
35682	22240	Hemmer (foot) 1/8 in. hem with guide on bottom to the right of needle hole...
35710	-----	Hemmer (foot) 3/32 in. hem, with guide on bottom to the right of needle hole...
35926	-----	Hemmer, for 35540.....
35927	-----	" Shank, for 35540.....
35997	-----	Hemmer (foot) 3/16 in. hem, with guide on bottom to the right of needle hole...
36072	-----	Hemmer (foot) 1/4 in. hem, with guide on bottom to the right of needle hole...
36122	-----	Hemmer (foot) for 7/32 in. hem.....
36309	-----	" " 7/32 in. hem, with guide on bottom to the right of needle hole...
36413	-----	Hemmer (foot) plain bottom, 1/16 in. hem.
36414	-----	" " " " 3/32 in. hem.
36416	-----	" " " " 3/16 in. hem.
36464	22240	Presser Foot Spring Guide, for 36465....
36465	22240	" " (right hand spring guide) with 665J and 36464, for 1/32 in. to 5/16 in. gauges.....
36480	-----	Hemmer (foot) plain bottom, 5/32 in. hem.
36524	-----	" " 5/32 in. hem, with guide on bottom to the right of needle hole...
36574	22240	Presser Foot, for 36575.....
36575	-----	" " 36574 with 36576 and two 50202J.....

NUMERICAL LIST OF PARTS

No.	Plate	Name
36576	22240	Presser Foot Finger Guard, for 36575.....
36714	-----	" " with 233J, for 36717.....
36715	22241	" " Guide (right) with 36716, for 36717.....
36716	22241	Presser Foot Guide Stud, for 36715.....
36717	22241	Presser Foot complete with adjustable guide (right) Nos. 36714 and 36715...
36773	22241	Presser Foot, for braiding.....
36819	22239	Finger Guard Friction Washer, for 121327.
36820	22239	" " Holder with 196J, for 121327
40264	22237	Rotating Hook Bobbin.....
40274	22237	" " Section, for 127097 and 127239.....
40316	-----	Presser Foot Plate, for 40318.....
40317	-----	" " Shank, for 40318.....
40318	5882	Presser Foot (hinged) complete, for 35540 for lace running, Nos. 40316, 40317 and 62527.....
40392	22237	Rotating Hook Bobbin Case Latch, for 40393
40393	-----	" " " Hinge, Nos. 2974 40392 and 125320, for 52237.....
40394	22237	Rotating Hook Bobbin Case Tension Spring, for 52236.....
41339	2833	Bobbin Winder Base, for 60456.....
41340	2833	" " Frame, for 60456.....
41341	2833	" " Spring, for 60456....
41342	2833	" " Pulley with 200F, for 60456
41343	2834	" " Spindle, for 60456.....
41344	2834	" " Stop Latch, for 60456.....
41345	2834	" " Finger, for 60456
41346	2834	" " Lever, for 60456
41347	2833	" " for 41348, Nos. 60456 and two each 9331 and wood screws 1 in. No.10 R.H.....
41348	-----	Bobbin Winder (swinging automatic, right hand) complete, Nos. 27308 and 41347.
41400	22235	Machine Rest Pin (wood) Accessories.....
41583	21834	Bobbin Winder Frame with 457C, for 60845.
41585	21834	" " Pulley with 171J, for 60845.
41586	21834	" " Spindle, for 60845.....
41587	21834	" " Stop Latch, for 60845.....
41588	21834	" " Tripping Arm with 185H, for 60845.....
41593	22239	Bobbin Winder Tension Spring, for 150460.
41594	22239	" " Stud, for 150460...
41595	22239	" " Thread Guide, for 150460.....
41913	21834	Bobbin Winder Bracket with 457C, for 60845

NUMERICAL LIST OF PARTS

No.	Plate	Name
41914	21834	Bobbin Winder Frame Spring, for 60845....
41915	21834	" " 60845 with 880E and 25446, for 150461.....
42367	22231	Arm Oil Tube Packing (braided cotton) for 52185 and 127187.....
42614	21834	Bobbin Winder Stop Latch Hinge Stud, for 60845.....
44139	7730	Machine Hinge Plate, for 44140.....
44140	-----	Machine Hinge complete, Nos. 12361, 44139 and merlized wood screw 1-1/4 in.No. 14 (Accessories).....
44212	7734	Drip Pan with four 1 in. wire nails.....
50053W	22218	Arm Side Cover Thumb Screw.....
50063C	22220	Feed Connecting Link Hinge Stud Set Screw for 52074.....
50117E	22220	Feed Dog Screw.....
50190W	22220	Face Plate Thumb Screw.....
50190W	22220	Guide Thumb Screw.....
50191C	22220	Feed Lifting Rock Shaft Screw Center, for 52097.....
50191C	22220	Feed Rock Shaft Screw Center, for 52097..
50202J	22240	Presser Foot Finger Guard Screw, for 36575
50302J	22239	Finger Guard Holder Set Screw, for 120858
50304C	22238	Tension Stud, for 52098.....
50305C	22238	" " Set Screw, for 52083.....
50316J	22239	Finger Guard Screw, for 121327.....
51068R	22218	Arm Shaft (horizontal) Bevel Gear Case Screw, for 142003.....
51068R	22218	Rotating Hook Shaft Bevel Gear Case Screw for 142004.....
51229D	22234	Needle Bar Thread Guard Screw, for 127244 and 127283.....
52014	22234	Needle Bar Bushing (upper).....
52018	22237	Rotating Hook Bobbin Case Holder Position Bracket.....
52022	22225	Thread Take-up Lever with 52130, for 52025
52023	22225	" " Hinge Pin, for 52025
52024	22225	" " Link, for 52025.....
52025	-----	Thread Take-up Lever complete for 127235, Nos. 52022 to 52024.....
52027	22239	Thread Guard (side of arm).....
52028	22235	Lifting Lever Connecting Rod, for 52319 and 52320.....
52045	22241	Oil Tube Packing (wick) for 127191.....
52051	22233	Face Plate, for 52052.....
52052	-----	Face Plate complete, Nos. 52051, 52053, 52170 and two 226J.....
52053	22220	Face Plate Thread Guard (lower) for 52052

NUMERICAL LIST OF PARTS

No.	Plate	Name
52055	22240	Presser Foot, for 35236.....
52073	22220	Feed Connecting Link Hinge Stud, for 52118
52074	22235	" Regulator with 50083C, for 52118....
52083	22239	Thread Take-up Spring Regulator with 50305C, for 52397.....
52093	-----	Feed Regulator 52118 with 819W.....
52097	-----	" Lifting Rock Shaft Screw Center 50191C with 1513J.....
52097	-----	Feed Rock Shaft Screw Center 50191C with 1513J.....
52098	-----	Tension Stud 50304C with 1560C, for 52397
52118	-----	Feed Regulator 52074 with 52073, for 52093
52130	22225	Thread Take-up Lever Thread Eyelet Bush- ing, for 52022.....
52146	22225	Arm Shaft (horizontal) Back Bearing Oil Cup Pad (braided cotton) for 96-107 Machine.....
52146	22225	Arm Shaft (horizontal) Front Bearing Oil Pad (braided cotton) for 96-107 Ma- chine.....
52165	22220	Feed Connecting Link, for 52393.....
52170	22220	Face Plate Thread Guard (upper) for 52052
52180	22231	Arm Oil Tube (long) with 52184, for oil- ing 52022.....
52183	22231	Arm Oil Tube with 52184, for oiling 52024 and 127156, for 127193 and 150460....
52184	22231	Arm Oil Tube Packing (wick) for 52180, 52183 and 127204.....
52185	22231	Arm Oil Tube (short) with 42367, for oil- ing 52022.....
52193	22218	Arm Shaft (horizontal) Flanged Bushing (back) Oil Pad (inside) braided cot- ton, for 52260.....
52193	22218	Arm Shaft (horizontal) Flanged Bushing (front) Oil Pad (inside) braided cot- ton, for 52196.....
52193	22218	Arm Shaft (horizontal) Intermediate Bush- ing Oil Pad (inside) braided cotton, for 52262.....
52195	-----	Arm Shaft (horizontal) Flanged Bushing (front) for 52196.....
52196	22219	Arm Shaft (horizontal) Flanged Bushing (front) 52195 with 52193 and 52198, for 127266.....
52198	22218	Arm Shaft (horizontal) Flanged Bushing (front) Oil Pad (outside) felt, for 52196.....
52207	22234	Needle Bar Connecting Link Lubricating Pad (wood) for 127231.....

NUMERICAL LIST OF PARTS

No.	Plate	Name
52210	22220	Feed and Feed Lifting Eccentric Lubricat- ing Pad (wood) long, for 127202.....
52211	22220	Feed and Feed Lifting Eccentric Lubricat- ing Pad (wood) short, for 127202.....
52235	-----	Rotating Hook Bobbin Case, for 52236.....
52236	-----	" " " " 52235 with 591F 1380E and 40394, for 52237.....
52237	22237	Rotating Hook Bobbin Case complete for 127240 and 127241, Nos. 592E, 2975, 40393 and 52236.....
52239	22218	Arm Spool Pin and Thread Eyelet, for 127193.....
52239	22218	Bobbin Winder Tension Bracket Spool Pin and Thread Eyelet, for 150460.....
52240	22219	Arm Shaft (horizontal) Bevel Gear Case Holder, for 96-107 Machine.....
52254	22231	Arm Oil Tube, for oiling 52262.....
52259	-----	" Shaft (horizontal) Flanged Bushing (back) for 52260.....
52260	22219	Arm Shaft (horizontal) Flanged Bushing (back) 52259 with 52193 and 52289, for 96-87 Machine.....
52261	-----	Arm Shaft (horizontal) Intermediate Bush- ing, for 52262.....
52262	22219	Arm Shaft (horizontal) Intermediate Bush- ing 52261 with 52193 and 52263.....
52263	22218	Arm Shaft (horizontal) Intermediate Bush- ing Oil Pad (outside) felt, for 52262
52265	22219	Feed Lifting Rock Shaft Crank 52271 with 157J and 52267, for 127269.....
52266	-----	Feed Lifting Rock Shaft Crank Slide Block for 52267.....
52267	22220	Feed Lifting Rock Shaft Crank Slide Block 52266 with 125060, for 52265.....
*52271	-----	Feed Lifting Rock Shaft Crank, for 52265.
52275	-----	Arm Shaft (upright) Bushing (lower) for 52276.....
52276	22219	Arm Shaft (upright) Bushing (lower) 52275 with 52279 and 52280.....
52277	-----	Arm Shaft (upright) Bushing (upper) for 52278.....
52278	22219	Arm Shaft (upright) Bushing (upper) 52277 with 52279 and 52280.....
52279	22218	Arm Shaft (upright) Bushing Oil Wick (in- side) braided cotton, for 52276 and 52278.....
52279	22219	Rotating Hook Shaft Bushing Oil Wick (in- side) braided cotton, for 52286 and 52288.....
52280	22218	Arm Shaft (upright) Bushing Oil Pad (out- side) felt, for 52276 and 52278.....

NUMERICAL LIST OF PARTS

No.	Plate	Name
52280	22218	Rotating Hook Shaft Bushing Oil Pad (outside) felt, for 52286 and 52288..
52281	22218	Arm Shaft (upright) Bevel Gear (lower) with two 1259C.....
52282	22218	Arm Shaft (upright) Bevel Gear (upper) with two 1259C.....
52285	-----	Rotating Hook Shaft Bushing (back) for 52286.....
52286	22238	Rotating Hook Shaft Bushing (back) 52285 with 52279 and 52280.....
52287	-----	Rotating Hook Shaft Bushing (front) for 52288.....
52288	22238	Rotating Hook Shaft Bushing (front) 52287 with 52279 and 52280.....
52289	22218	Arm Shaft (horizontal) Flanged Bushing (back) Oil Pad (outside) felt, for 52260.....
52290	22231	Arm Oil Tube Hole Plug.....
52319	----	Foot Lifter complete, Nos. 76D, 766D, 802D 1521J, 4880, 4885, 5598, 5670, 12237, 12240, 12241, 12416, 52028 and two 178E.....
52320	-----	Knee Lifter complete (power table) Nos. 76D, 766D, 802D, 1521J, 5598, 12237, 12240, 12241, 12250, 12416, 52028 and two 178E.....
52337	22238	Slack Thread Regulator.....
52338	22234	Presser Bar Guide Bracket with 223C and 453C.....
52384	22233	Feed Lifting Rock Shaft, for 127269.....
52386	22233	" Rock Shaft, for 52387.....
52387	-----	Feed Rock Shaft complete, Nos. 29633 and 52386.....
52390	-----	Presser Foot Shank, for 127234.....
52393	-----	Feed Forked Connection 20284 with 375C, 1518J and 52165.....
52394	22239	Thread Take-up Spring, for 52397.....
52397	-----	Tension complete, Nos. 2103, 32572, 32574 52083, 52098, 52394 and two 2102.....
52445	22238	Tension Releasing Lever.....
52452	22219	Feed Bar.....
52454	22239	Thread Retainer.....
52486	22225	Arm Shaft (horizontal) Ball Bearing (back) Locking Pin, for 96-107 Machine
52487	22225	Arm Shaft (horizontal) Ball Bearing (back) Locking Pin, for 96-107 Machine
54897	22225	Arm Shaft (horizontal) Back Bearing Oil Cup.....

NUMERICAL LIST OF PARTS

No.	Plate	Name
54897	22225	Arm Shaft (horizontal) Front Bearing Oil Cup, for 96-107 Machine.....
56015	22231	Arm Oil Tube, for oiling 142006, for 127263 and 127264.....
56813	-----	Feed Bar Screw Center 313C with 1519J....
56848	-----	Bell Crank 5586 with 5599 and 5601, for 5598.....
56864	7730	Chain Hook (large) for 5670.....
56865	7730	" " (small) for 5670.....
60456	-----	Bobbin Winder for 41347, Nos. 152F, 207J, 1429D, 1550H, 41339 to 41346 and three 1430D.....
60845	-----	Bobbin Winder for 41915, Nos. 7958, 34105 41583, 41585 to 41588, 41913, 41914 and 42614.....
62527	22225	Presser Foot Hinge Pin, for 40318 and 127234.....
68350	22218	Arm Shaft (horizontal) Front Bearing Oil Cup, for 96-87 Machine.....
120342	21835	Oiler (copper plated) with 120343 (Accessories).....
120343	21835	Oiler Spout, 3-1/2 in. long, for 120342..
120803	5919	Hemmer (foot) for 1/8 in. hem.....
120804	5919	" " " 5/32 in. hem.....
120805	5919	" " " 3/16 in. hem.....
120806	5920	" " " 1/4 in. hem.....
120807	5920	" " " 5/16 in. hem.....
120828	22241	Presser Foot (single toe) for gathering, for fine work.....
120837	5920	Hemmer (foot) plain bottom, 1/8 in. hem, slotted for lace.....
120857	22239	Finger Guard, for 120860.....
120858	22239	" " Holder with 50302J, for 120860.....
120860	22239	Finger Guard (wire) complete, Nos. 120857 120858 and two 236J.....
120898	5921	Hemmer (foot) for 1/16 in. to 1/8 in. hem for China Silk, etc.....
120911	5921	Hemmer (foot) for 5/32 in. to 1/4 in. hem for China Silk, etc.....
120938	5921	Hemmer (foot) for 3/32 in. hem.....
121326	22239	Finger Guard, for 121327.....
121327	22239	Finger Guard (metal) complete, Nos. 36819 36820, 50316J and 121326.....
121587	22233	Grease Gun (3 oz. capacity) for Fitting No. 142005 (Accessories).....
121588	-----	Grease Gun (1/2 lb. capacity) for Fitting No. 142005 (Accessories).....
*125060	-----	Feed Lifting Rock Shaft Crank Slide Block Stud, for 52287.....

NUMERICAL LIST OF PARTS

No.	Plate	Name
125320	22237	Rotating Hook Bobbin Case Latch Lever, for 40393.....
127009	22235	Arm Shaft (horizontal) Ball Bearing (front) Cover, for 127199.....
127011	22235	Arm Shaft (horizontal) Ball Bearing (back) for 96-107 Machine.....
127066	22235	Arm Shaft (horizontal) Ball Bearing (front) for 96-107 Machine.....
127067	22225	Arm Shaft (horizontal) Ball Bearing (front) Key, for 127267.....
127072	22219	Arm Shaft (horizontal) Bevel Gear with two 1036C.....
127073	22238	Rotating Hook Shaft Bevel Gear with two 1259C.....
127079	22219	Arm Side Cover.....
127091	22235	Oil Tube Bracket, for 127092.....
127092	22235	" " " 127091 with 127191, for oiling 52165.....
127095	22237	Rotating Hook with three 1253C, for 127096
127096	-----	" " 127095 with 127102 and four 1053E, for 127097 and 127239.....
127097	-----	Rotating Hook 127096 with 40274 and three 1367E (for Agents only).....
127102	22238	Rotating Hook Thread Guard, for 127096...
127108	22235	Presser Bar Spring.....
*127143	-----	Arm Shaft (horizontal) Ball Bearing (back) Cover, for 127144.....
127144	22235	Arm Shaft (horizontal) Ball Bearing (back) Cover 127143 with 127145, for 96-107 Machine.....
*127145	-----	Arm Shaft (horizontal) Ball Bearing (back) Cover Oil Lead, for 127144....
127152	22219	Feed and Feed Lifting Eccentric Sleeve, for 127225.....
127156	22233	Feed Lifting Rock Shaft Connecting Rod with two 966E.....
127187	22231	Arm Oil Tube with 42367, for oiling 127152, for 127193 and 150460.....
127191	22235	Oil Tube with 52045, for 127092.....
127192	22219	Arm Top Cover, for 127193.....
127193	22219	" " " 127192 with 52183, 52239, 127187 and 127255.....
127199	-----	Needle Bar Crank 127254 with 401E and 127009, for 127268.....
127202	22219	Feed and Feed Lifting Eccentric with 448C 1299C, 52210 and 52211, for 127225...
127204	22231	Arm Oil Tube with 52184, for oiling 127231
127225	-----	Feed and Feed Lifting Eccentric 127202 with 127152.....

NUMERICAL LIST OF PARTS

No.	Plate	Name
127229	22236	Feed Dog, 17 teeth (14 teeth to the inch) for 127238.....
127230	22234	Needle Bar Bushing (lower).....
127231	22234	" " Connecting Link with 52207, for 127232.....
127232	-----	Needle Bar Connecting Link 127231 with 24041, for 127237.....
127233	-----	Presser Foot Plate, for 127234.....
127234	22236	Presser Foot (spring hinged) complete, Nos. 26231, 52390, 62527 and 127233..
127235	-----	Thread Take-up complete, Nos. 11204, 52025 and 127237.....
127236	22239	Thread Take-up Crank, for 127237.....
127237	-----	" " " 127236 with 775E and 127232, for 127235.....
127238	22236	Throat Plate, for 127229.....
*127239	-----	Rotating Hook 127096 with 40274, 127242 and three 1367E, for 127240.....
127240	-----	Rotating Hook 127239 with 52237.....
127241	-----	" " Bobbin Case 52237 with 127242.....
127242	22237	Rotating Hook Bobbin Case Holder, for 127239 and 127241.....
127243	22234	Needle Bar (hollow) for 127244.....
127244	-----	" " 127243 with 51229D, 127245 and 127246, for size 16x231 Needle.....
127245	22234	Needle Bar Thread Guard, for 127244 and 127283.....
127246	22234	Needle Clamp with 140119F, for 127244 and 127283.....
127253	22235	Needle Bar Crank with 1036C, 1037C and 1065C, for 127266.....
127254	22235	Needle Bar Crank with 1036C, 1037C and 1065C, for 127199.....
127255	22218	Arm Top Cover Positioning Disc, for 127193
127255	22218	Bobbin Winder Tension Bracket Positioning Disc, for 150460.....
127257	-----	Presser Foot Plate, for 127260.....
127258	-----	" " Shank with 665J, for 127260.
127259	22236	" " Thread Cutter, for 127260...
127260	22236	Presser Foot (hinged) with Thread Cutter complete, Nos. 239E, 127257 to 127259 and 131256.....
127261	22233	Balance wheel (disc, power) 2-3/16 in. pulley, with two 448C.....
*127263	-----	Arm with 15404 and two each 15405 and 56015, for 96-87 Machine.....
127264	-----	Arm with 15404 and two each 15405 and 56015, for 96-107 Machine.....

NUMERICAL LIST OF PARTS

No.	Plate	Name
127265	22233	Arm Shaft (horizontal) for 127266.....
127266	-----	" " " 127265 with 52196 and 127253, for 96-87 Machine.....
127267	22233	Arm Shaft (horizontal) with 127067, for 127268.....
127268	-----	Arm Shaft (horizontal) 127267 with 127199 for 96-107 Machine.....
127269	-----	Feed Lifting Rock Shaft complete, Nos. 52265 and 52384.....
*127270	-----	Bed.....
127282	-----	Needle Bar (hollow) for 127283.....
127283	-----	" " 127282 with 51229D, 127245 and 127246, for size 16x233 Needle.....
127292	22233	Rotating Hook Shaft.....
131256	22236	Presser Foot Hinge Pin, for 127260.....
140119F	22234	Needle Clamp Screw, for 127246.....
140184E	22232	Arm Shaft (horizontal) Bevel Gear Case Plug Screw, for 142003.....
140184E	22232	Rotating Hook Shaft Bevel Gear Case Plug Screw, for 142004.....
142003	22219	Arm Shaft (horizontal) Bevel Gear Case (two pieces) with 51068R, 140184E and 142005.....
142004	22235	Rotating Hook Shaft Bevel Gear Case (two pieces) with 51068R, 140184E and 142005.....
142005	22232	Arm Shaft (horizontal) Bevel Gear Case Alemite Fitting, for 142003.....
142005	22232	Rotating Hook Shaft Bevel Gear Case Alemite Fitting, for 142004.....
142006	22219	Arm Shaft (upright).....
142008	22238	Rotating Hook Shaft Bushing (front) Oil Cup.....
150203	20335	Thread Unwinder Spool Rest Cushion (felt) for 225258.....
150459	21834	Bobbin Winder Tension Bracket with 460C, for 150460.....
150460	-----	Bobbin Winder Tension Bracket complete for 150461, Nos. 41593 to 41595, 52183 52239, 127187, 127255, 150459 and two 2455.....
150461	-----	Bobbin Winder (swinging automatic, left hand) complete, Nos. 41915 and 150460
200056E	3471	Bobbin Winder Stop Latch Screw, for 225382
200082D	3471	" " Tension Bracket Screw, for 225382.....
200299H	3471	Bobbin Winder Stop Latch Trip Lever Hinge Screw, for 225382.....
200380C	3471	Bobbin Winder Pulley Set Screw, for 202473

NUMERICAL LIST OF PARTS

No.	Plate	Name
200383C	22230	Thread Unwinder Spool Rest Rod Set Screw, 202490.....
201018C	22230	Thread Unwinder Spool Rest Set Screw, for 225257.....
201499B	3471	Bobbin Winder Tension Stud, for 225461...
201572B	3471	" " " " Thumb Nut, for 225462.....
201696J	22230	Thread Unwinder Thread Guide Lock Nut, for 225258.....
202277	3471	Bobbin Winder Frame Oil Packing (wick) for 225453.....
202407	3471	Bobbin Winder Tension Spring, for 225462.
202473	3470	" " Pulley with 200380C, for 225382.....
202478	3471	Bobbin Winder Stop Latch Trip Lever, for 225382.....
202490	20335	Thread Unwinder Spool Stand with 200383C, for 225258.....
225257	20335	Thread Unwinder Spool Rest with 201018C, for 225258.....
225258	20335	Thread Unwinder complete, for two spools or two large cones of thread, Nos. 201696J, 202490, 225257, 225324, 225326, 225388, two each 150203, 225391 and three wood screws 7/8 in. No. 12 F.H.....
225322	22230	Thread Unwinder Thread Guide Rod Washer, for 225324.....
225324	20335	Thread Unwinder Thread Guide Rod with 208E and 225322, for 225258.....
225326	20335	Thread Unwinder Thread Guide Position Cup for 225258.....
225381	3470	Bobbin Winder Spindle, for 225382.....
225382	3469	Bobbin Winder (swinging automatic, right hand) complete, for power table, Nos. 200056E, 200082D, 200299H, 202473, 202478, 225381, 225433, 225444, 225453 to 225456, 225458, 225462, 228026, two each 225459 and wood screws 3/4 in. No. 12 R.H.....
225388	20335	Thread Unwinder Spool Rest Rod, for 225258
225390	7234	" " Thread Cone Holder, for inverted cones, for 225258.....
225391	20335	Thread Unwinder Thread Guide, for 225258.
225433	3469	Bobbin Winder and Tension Bracket Base, for 225382.....
225438	3471	Bobbin Winder Frame Oil Well Cap, for 225453.....
225444	3471	Bobbin Winder Stop Latch, for 225382.....

NUMERICAL LIST OF PARTS

No.	Plate	Name
225453	3470	Bobbin Winder Frame with 202277 and 225438, for 225382.....
225454	3471	Bobbin Winder Frame Hinge Pin, for 225382.
225455	3471	" " " Spring, for 225382...
225456	3471	" " " " Plunger, for 225382.....
225458	3471	Bobbin Winder Stop Latch Thumb Lever, for 225382.....
225459	3471	Bobbin Winder Stop Latch Thumb Lever Hinge Stud, for 225382.....
225459	3471	Bobbin Winder Stop Latch Thumb Lever Joint Stud, for 225382.....
225461	3471	Bobbin Winder Tension Bracket with 201499B, for 225462.....
225462	----	Bobbin Winder Tension Bracket complete for 225382, Nos. 201572B, 202407, 225461 and two 2102.....
228026	----	Bobbin Winder Tension Bracket Screw Wash- er, for 225382.....

Genuine Singer Needles should be used
in Singer Machines.
These Needles and their Containers
are marked with the
Company's Trade Mark "SIMANCO." 1

Needles in Containers marked
"For Singer Machines"
are not Singer made needles. 2

PLATE 819—ONE-FOURTH SIZE

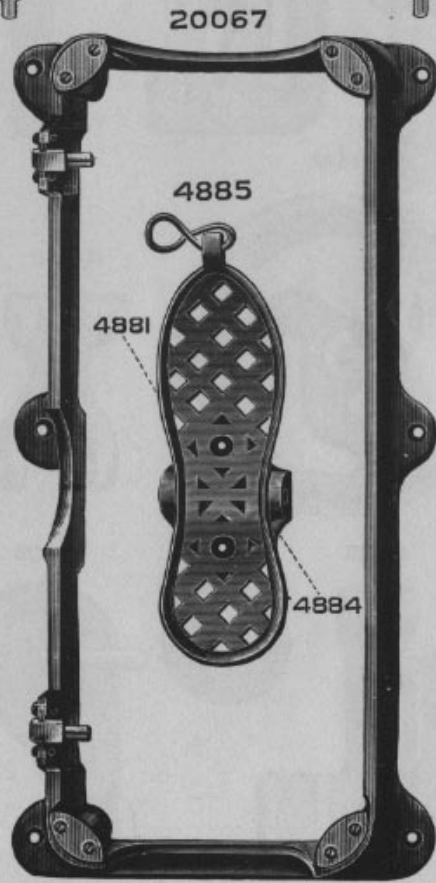
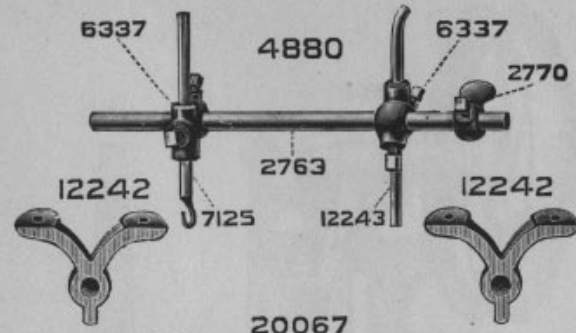


PLATE 2833—ONE-HALF SIZE

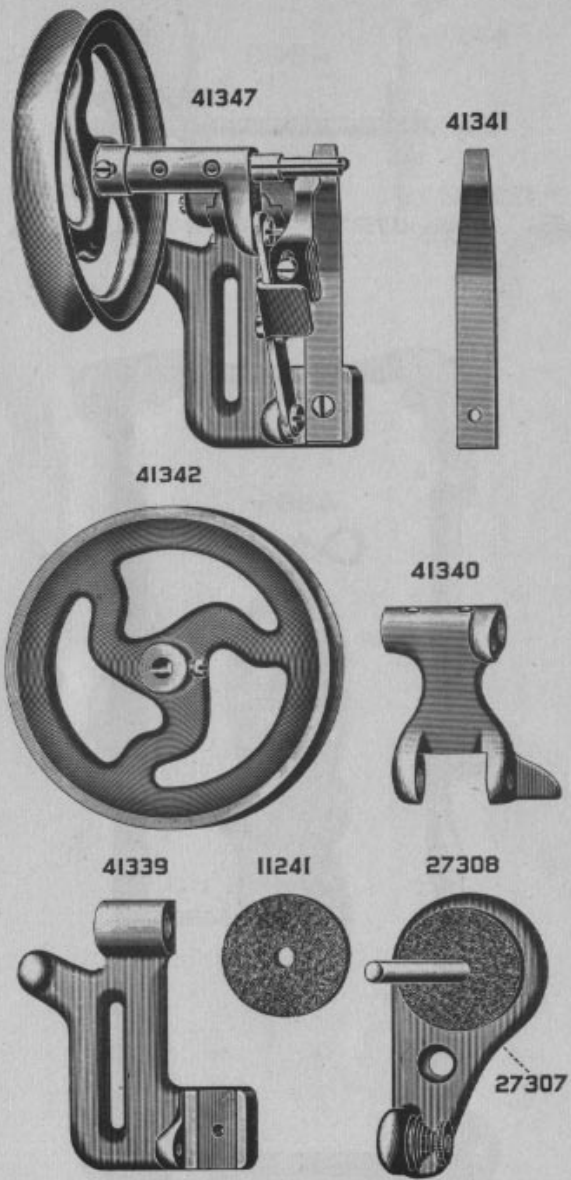


PLATE 2834—FULL SIZE

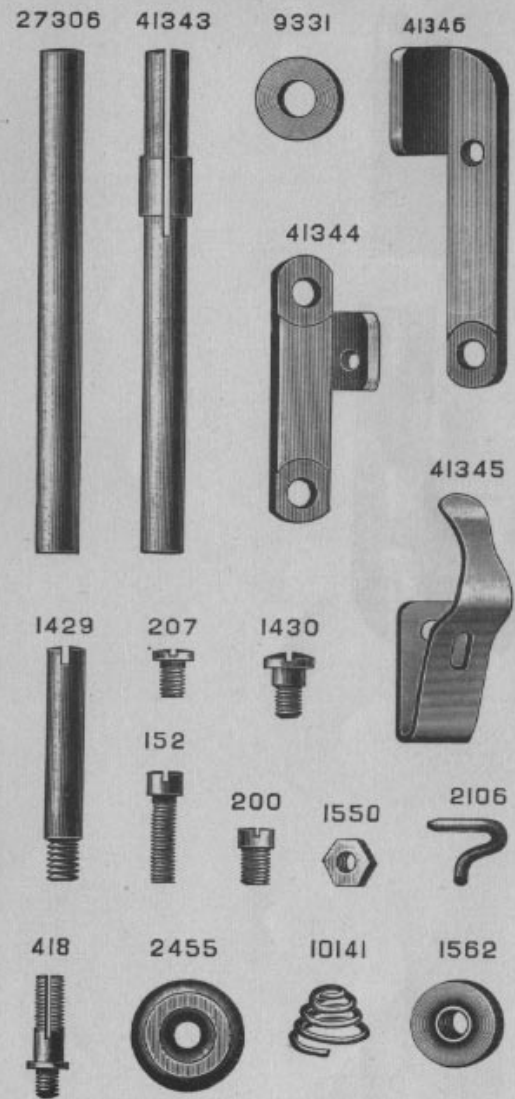


PLATE 3469—ONE-FOURTH SIZE

225362

225433

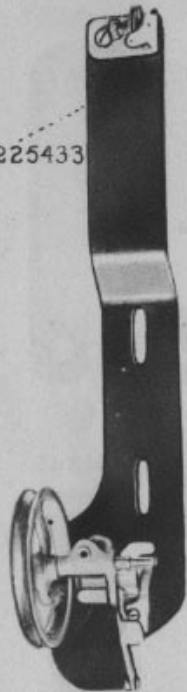


PLATE 3470—ONE-HALF SIZE

202473

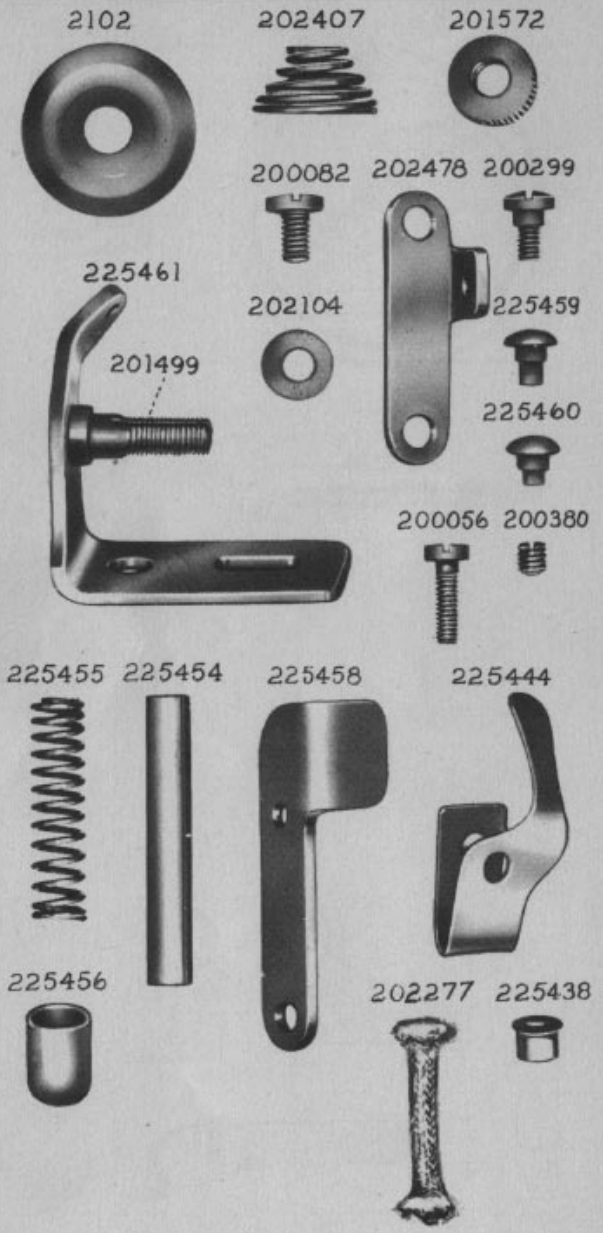
225453



225381



PLATE 3471—FULL SIZE



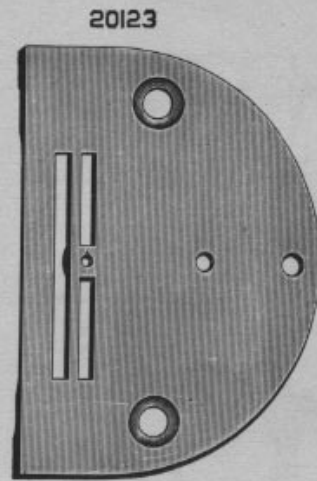
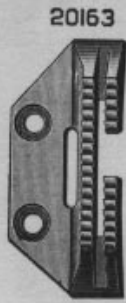
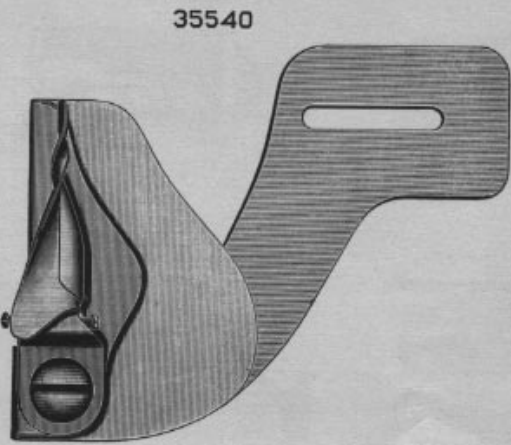


PLATE 6882-FULL SIZE

PLATE 5919—FULL SIZE

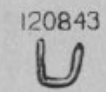
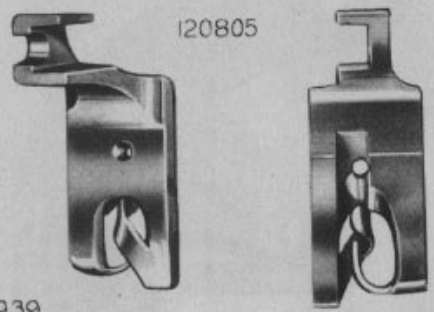
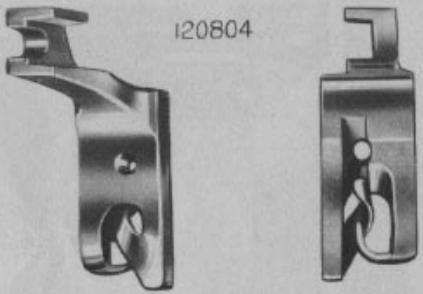
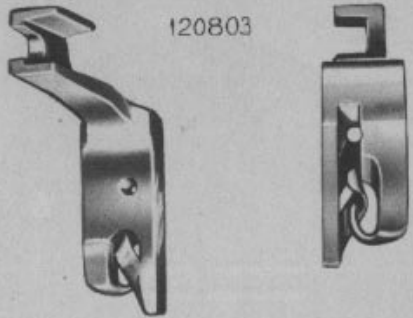


PLATE 5920—FULL SIZE

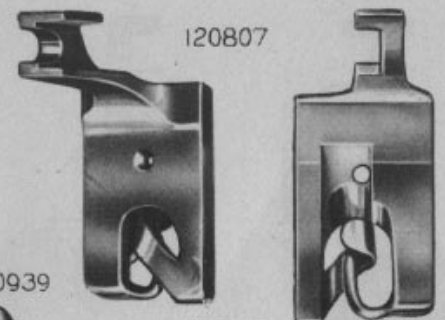
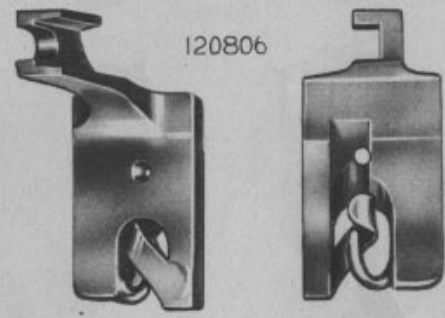
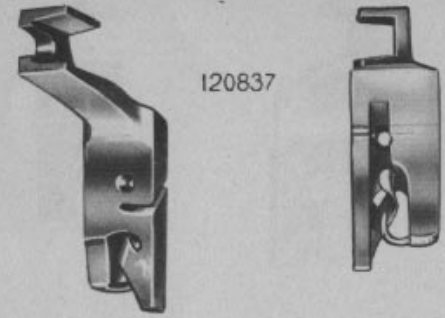


PLATE 5921—FULL SIZE

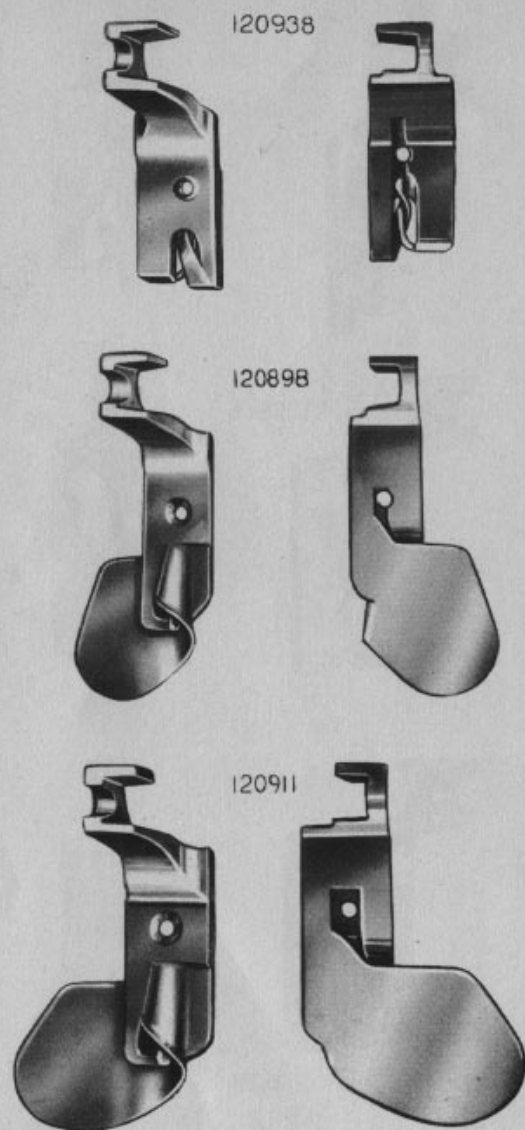


PLATE 7234—ONE-HALF SIZE

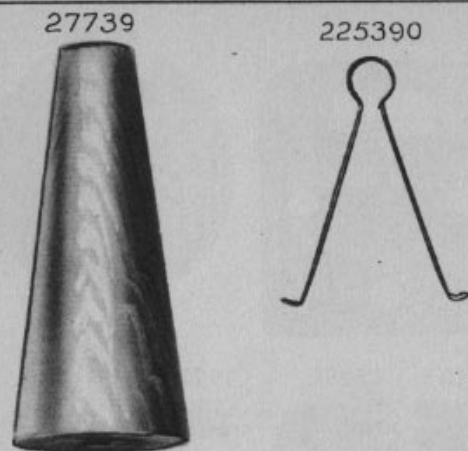
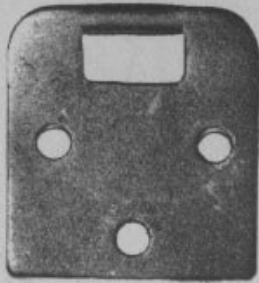
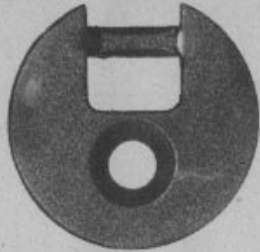


PLATE 7730—FULL SIZE

16555



44139



19220



12361



19226



56865



56864



4879



5735



PLATE 7734—ONE-FOURTH SIZE

44212

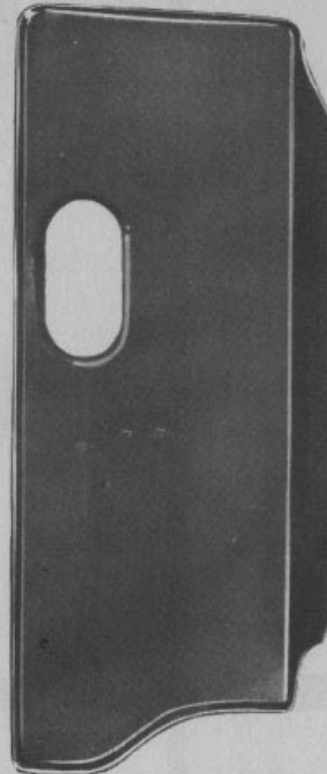


PLATE 20335—ONE-SIXTH SIZE

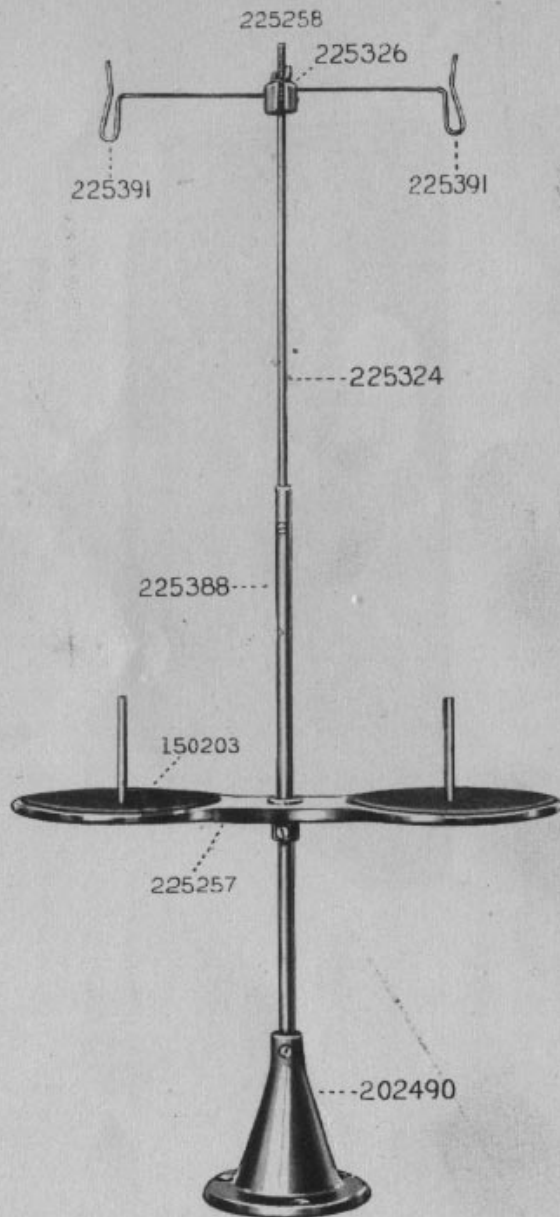


PLATE 21823—ONE-FOURTH SIZE

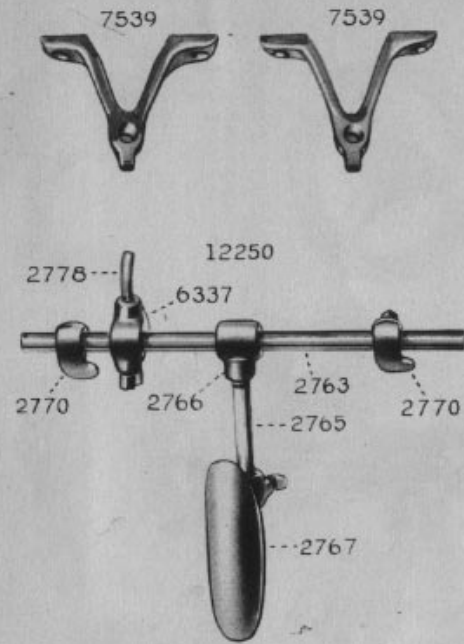


PLATE 21834—ONE-HALF SIZE

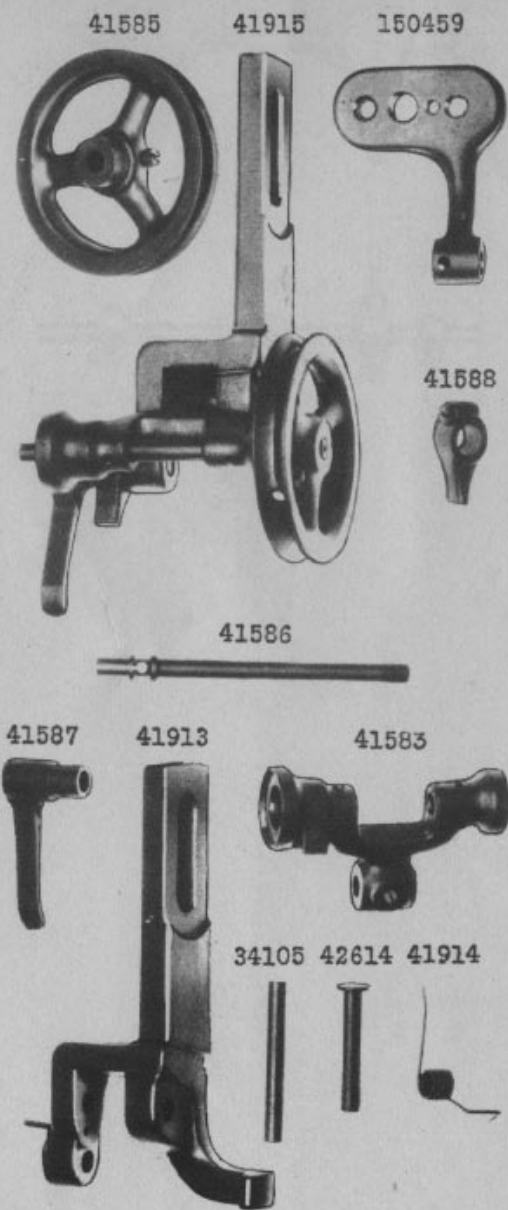


PLATE 21835—ONE-HALF SIZE

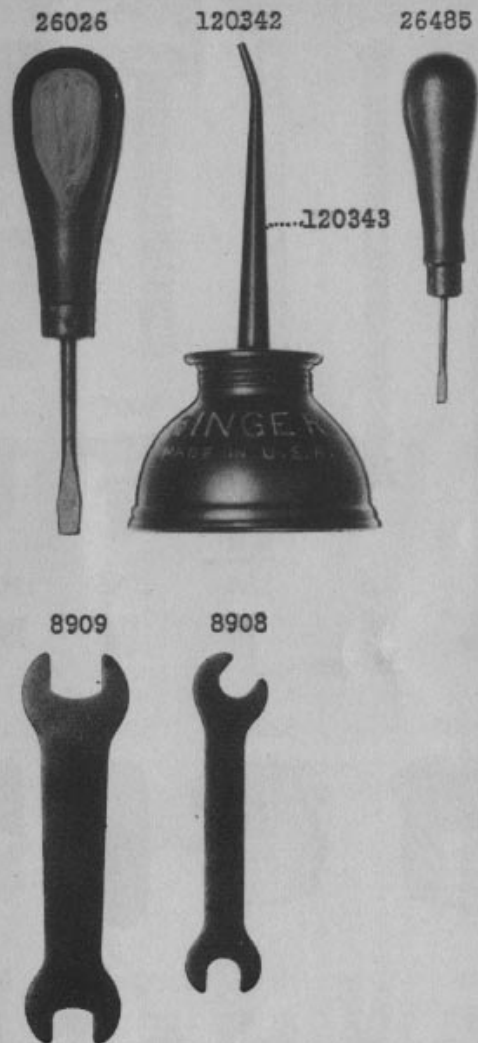


PLATE 22218 - FULL SIZE

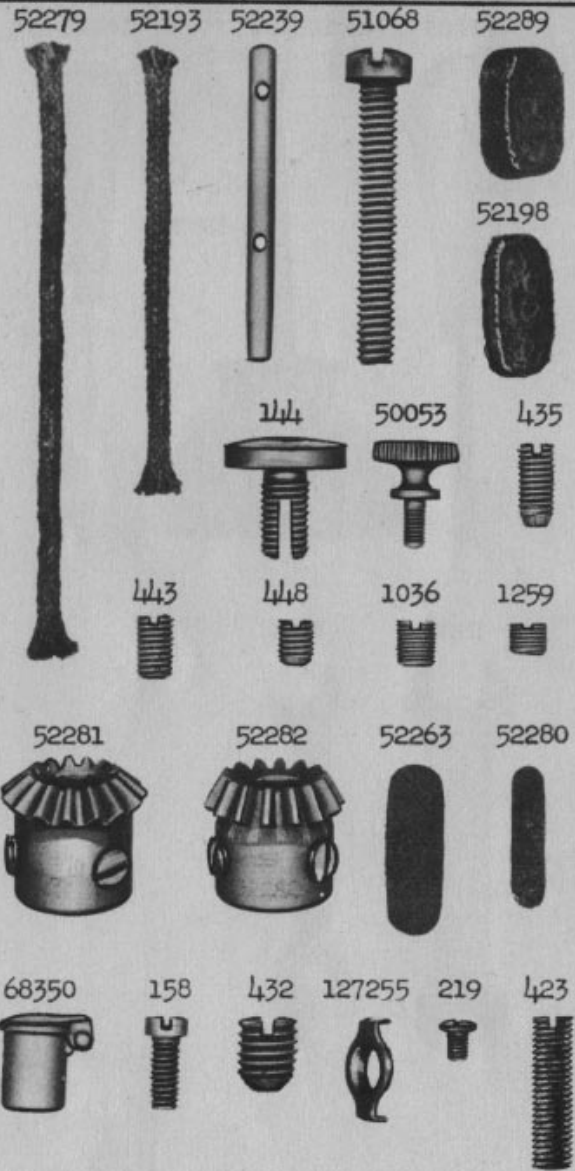


PLATE 22219 - ONE-HALF SIZE

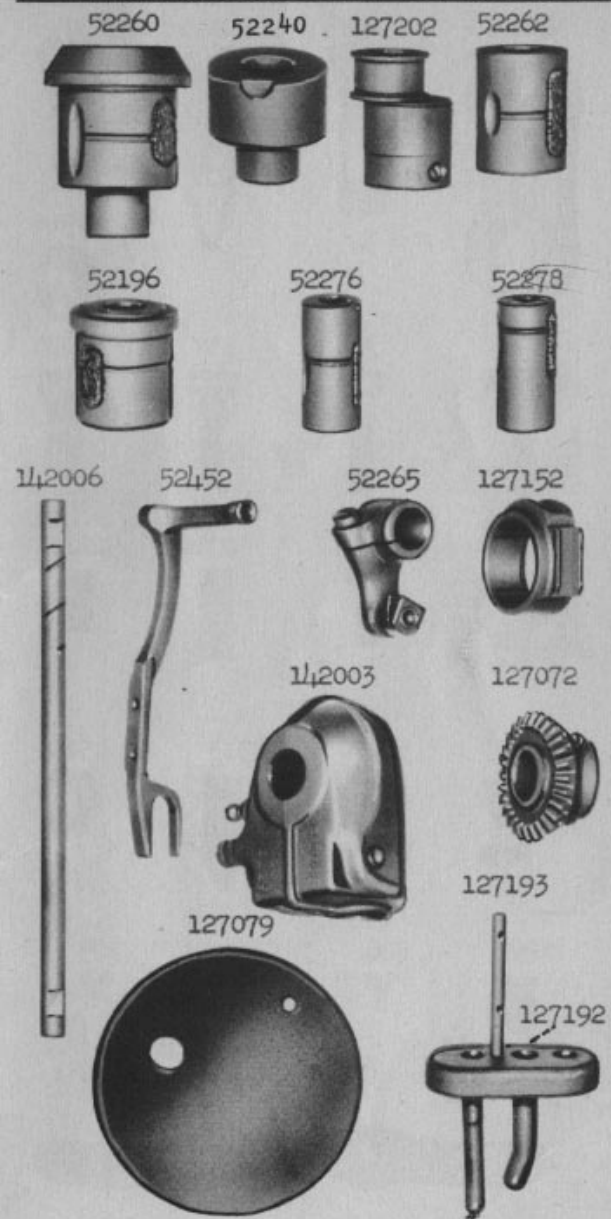


PLATE 22220 - FULL SIZE



PLATE 22225 - FULL SIZE

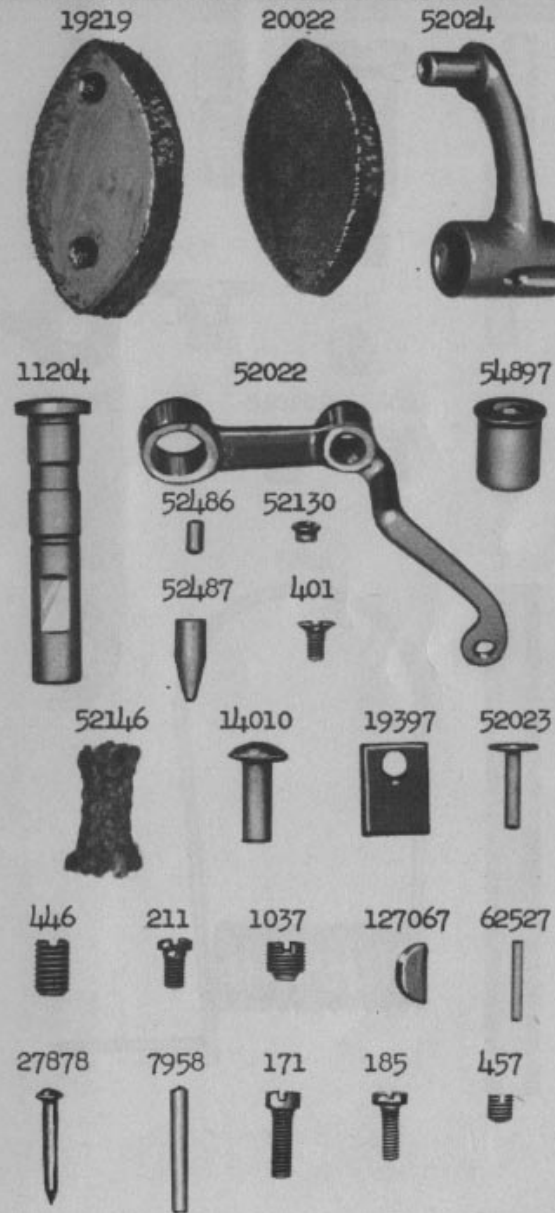


PLATE 22230 - FULL SIZE

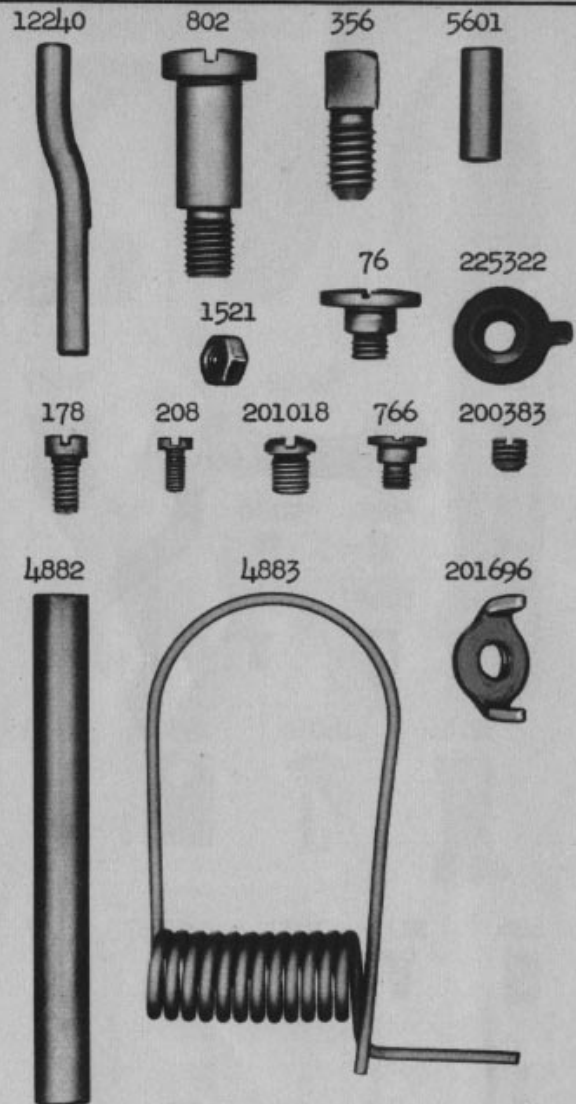


PLATE 22231 - FULL SIZE

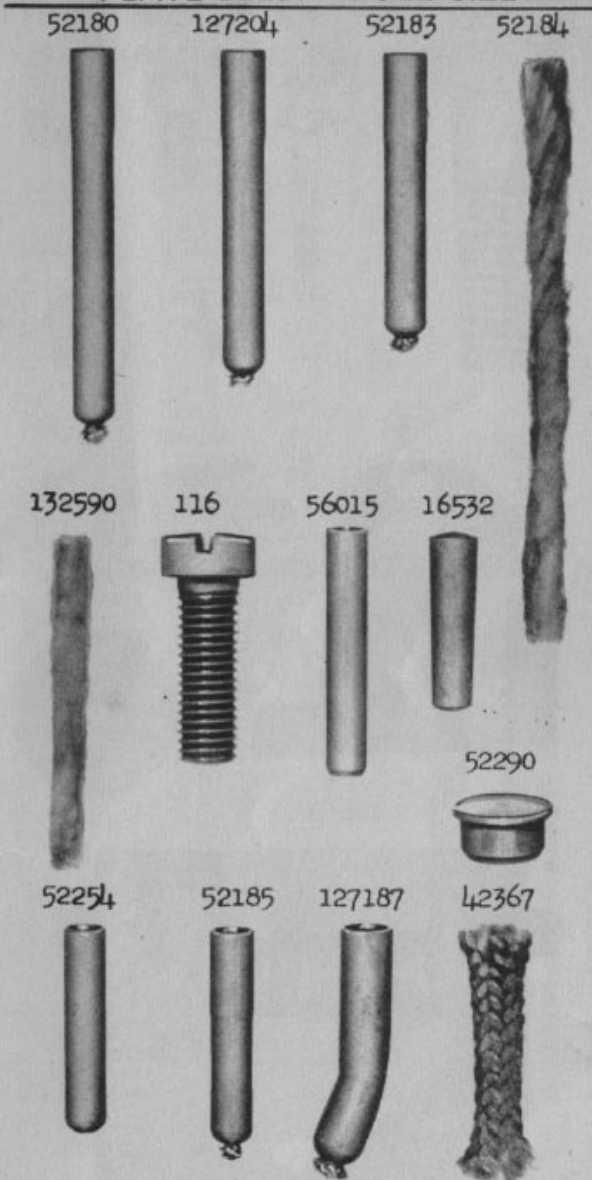


PLATE 22232 - FULL SIZE

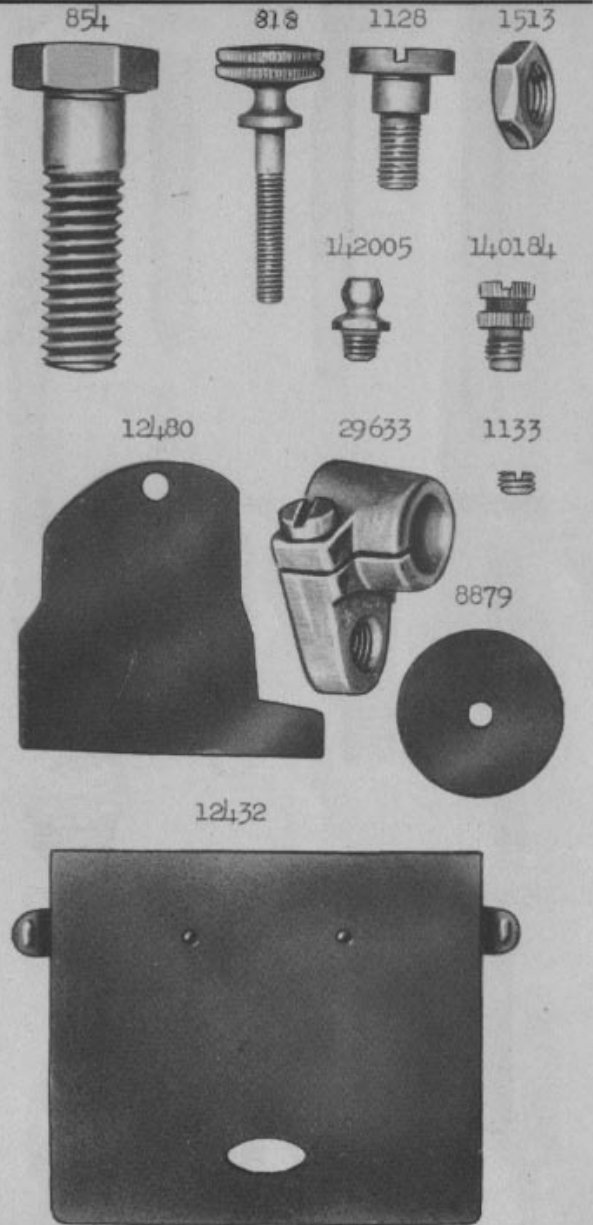


PLATE 22233 - ONE-FOURTH SIZE

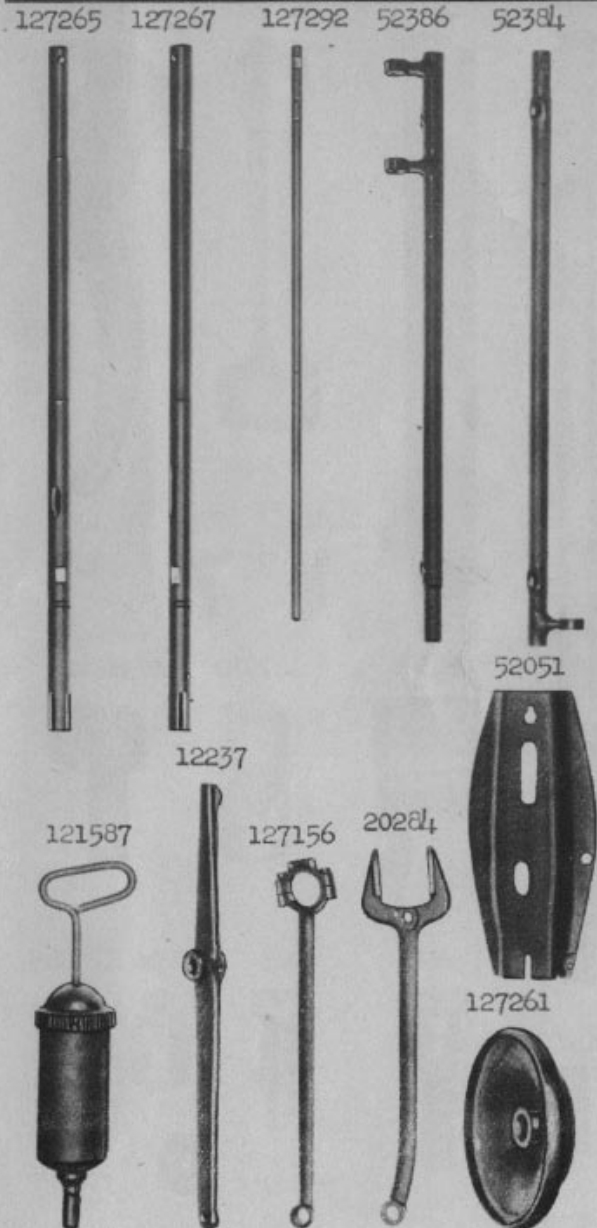


PLATE 22234 - FULL SIZE

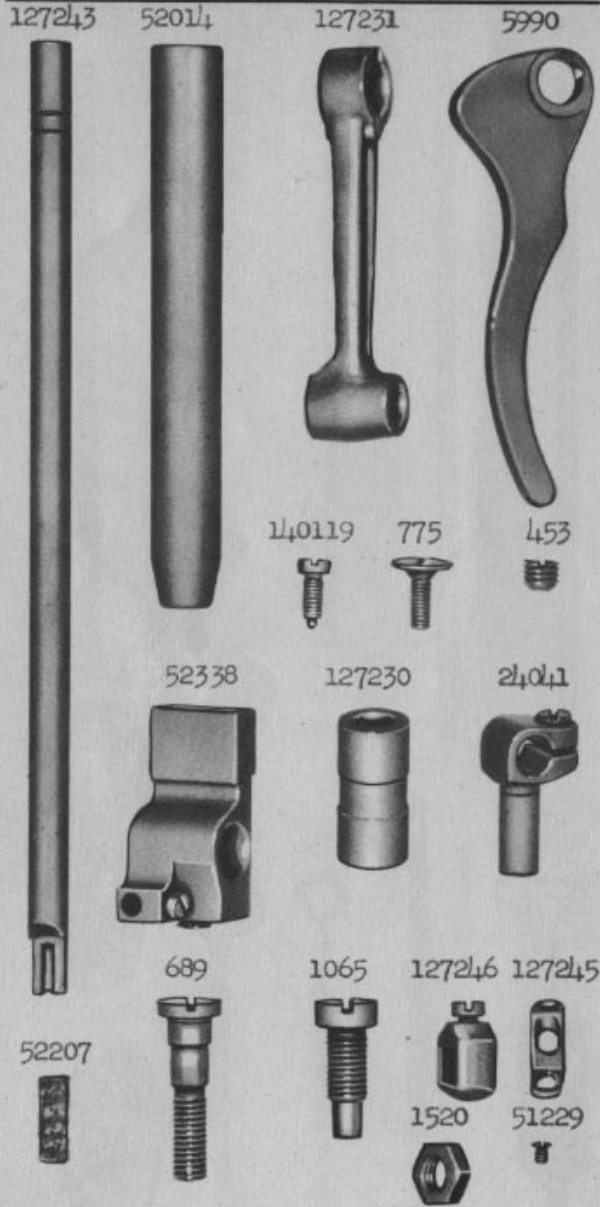


PLATE 22235 - ONE-HALF SIZE

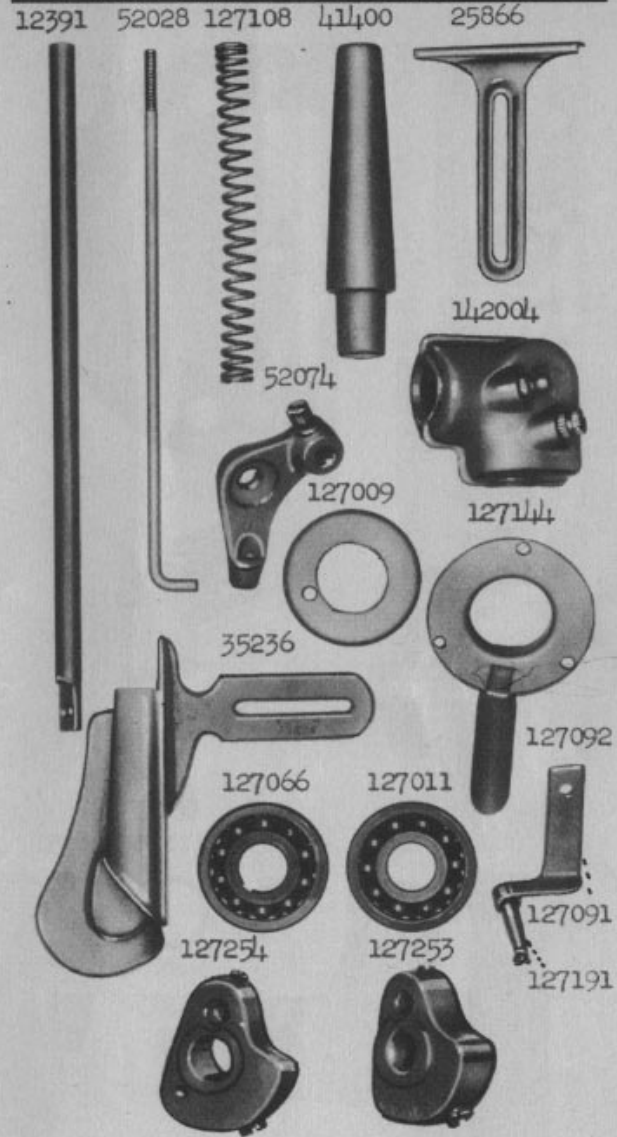
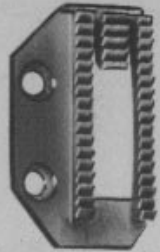
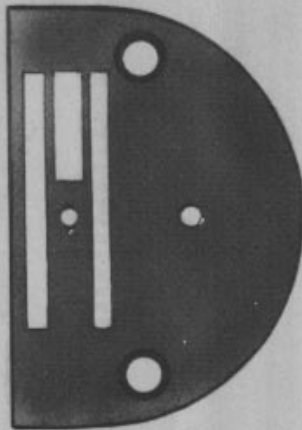


PLATE 22236 - FULL SIZE

127229



127238



1 1/4 Teeth = 1 Inch

691



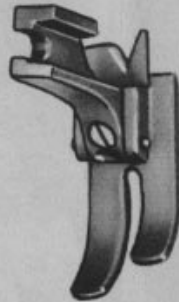
127259



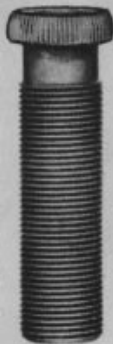
127234



127260



688



12327



665



11170



26231



131256



239



PLATE 22237 - FULL SIZE

127095



127242



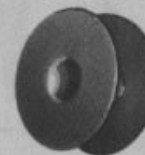
40274



52237



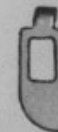
40264



40392



125320



40394



704



2975



1253



2974



1380



1367



591



592



52018



PLATE 22238 - FULL SIZE

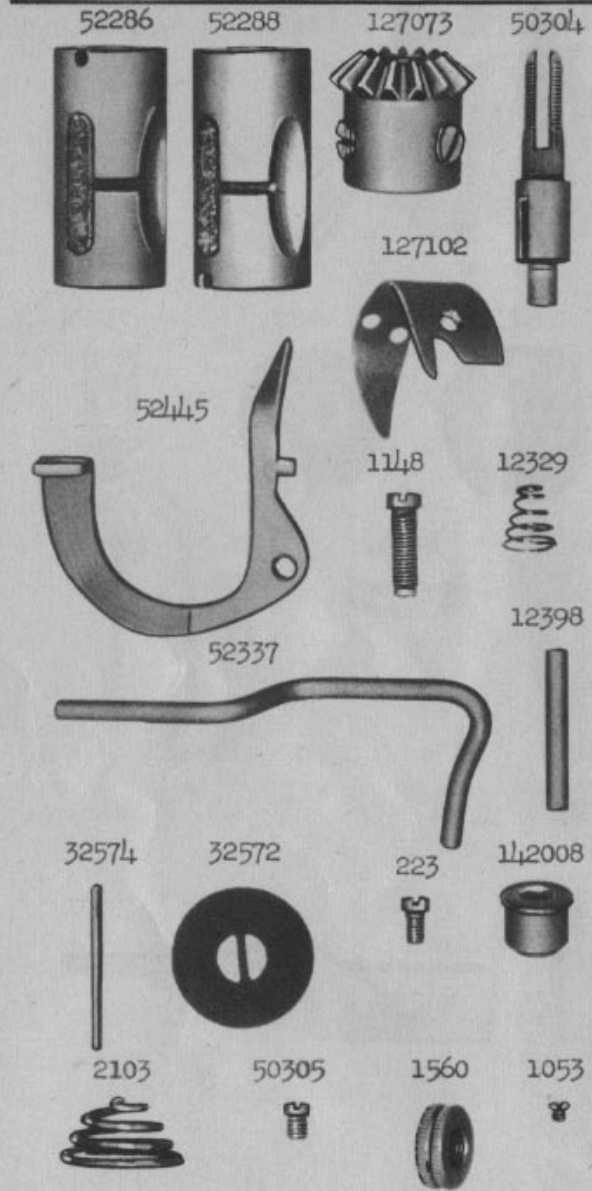


PLATE 22239 - FULL SIZE

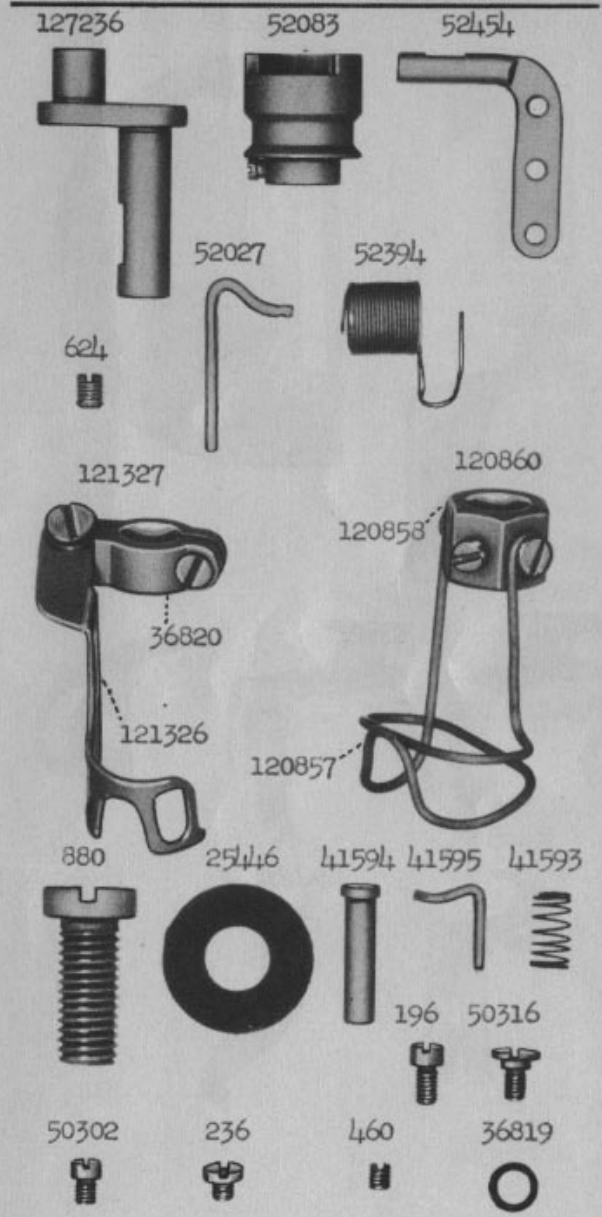


PLATE 22240 - FULL SIZE

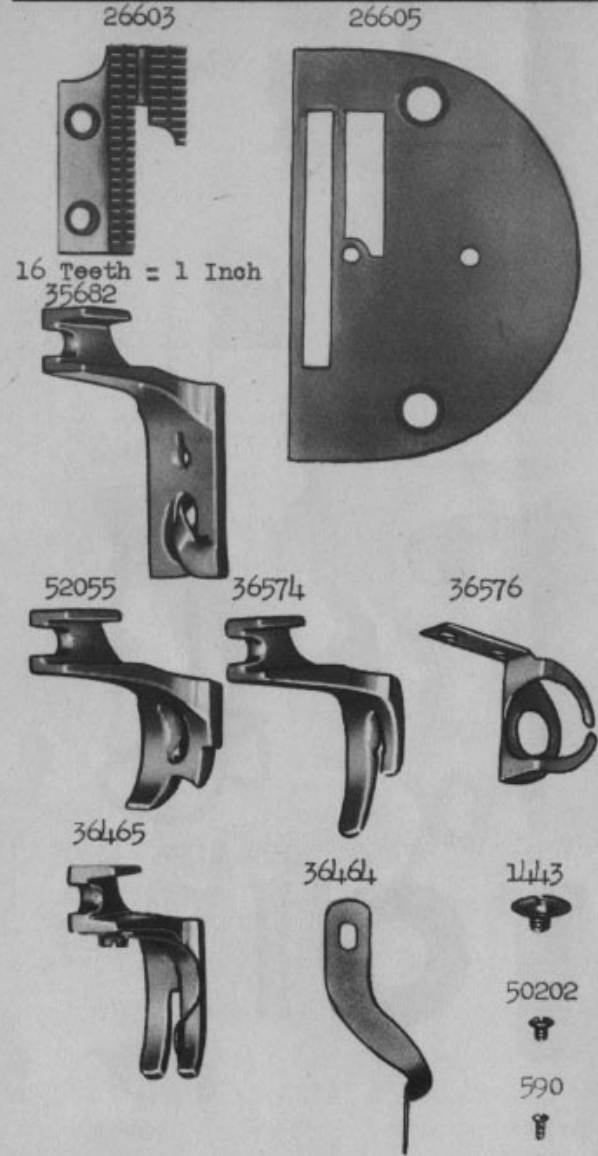


PLATE 22241 - FULL SIZE

